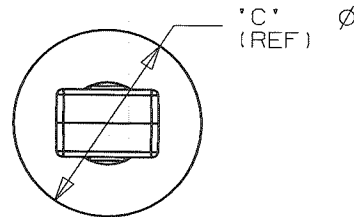
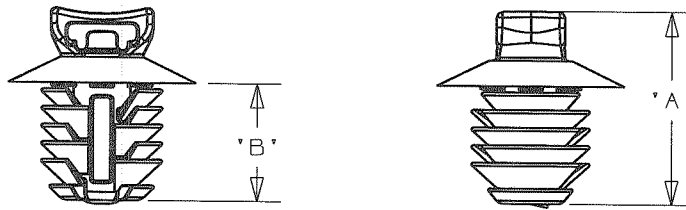


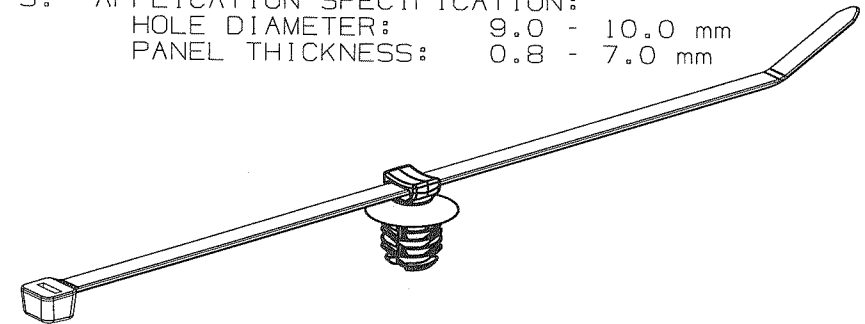
THIS COPY IS PROVIDED ON A RESTRICTED BASIS AND IS NOT TO BE USED IN ANY WAY DETRIMENTAL TO THE INTERESTS OF PANDUIT CORPORATION.

PANDUIT PART NUMBER	CABLE TIE		DIMENSIONS				MATERIAL	WEIGHT grams/100pcs
	MIN TENSILE	MAX BUNDLE	'A'	'B'	'C' (REF)	'D' (REF)		
PUM-100-2S-_30	50LBS (222N)	1.88" (48)	16.9	10.4	16.5	188.0	HEAT STABILIZED NYLON 6/6 BLACK	190

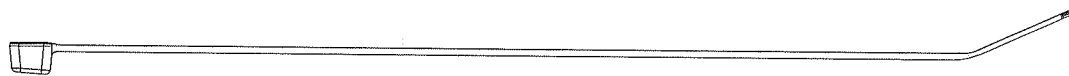


NOTES:

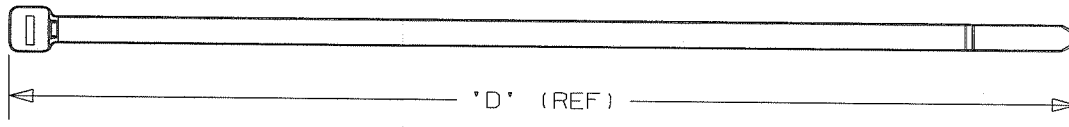
1. SEE CURRENT PRICE SHEET FOR PART NUMBER SUFFIX DESIGNATION FOR PACKAGE SIZE, AND COLOR.
2. (*) DIMENSIONAL VARIANCE IS POSSIBLE DUE TO MOLDING PROCESS RELATED SINK MARKS.
3. APPLICATION SPECIFICATION:
HOLE DIAMETER: 9.0 - 10.0 mm
PANEL THICKNESS: 0.8 - 7.0 mm



SCALE .75



SCALE .75



CAD FILENAME/LAYERS	G03151BD_DC_GB0239L0/06B
PANDUIT CORP.	TINLEY PARK, ILLINOIS
PUM-100-2S-_30 PUSH MOUNT / CABLE TIE ASSEMBLY	

UNLESS OTHERWISE SPECIFIED, ALL DIMENSIONS ARE METRIC
TOLERANCE: ±0.5MM

06B	10-6-08	PSG	RENAMED DIMS, AND TOOK (REF) OFF DIM 'B'	GB0239L0	06B	KLN		
06A	8-22-08	PSG	REMOVED DIMS, REMOVED RIBS FROM HEAD, UPDATED FILE NAME AND CHANGED REV STYLE	GB0239L0	06A			
1	8-17-06	TMSA	REVISED DRAWING LAYOUT	GB0239L0	1			
R	7-10-06	KLN	INITIAL RELEASE	GB0239L0	R			
REV	DATE	BY	CHK	DESCRIPTION	ECN	R	CUST	SUP

DRAWN BY	KLN	MAT'L:	SEE TABLE	SCALE	1:1 UNLESS NOTED
DATE	7-10-06			DRAWING NO.	GB0239L0
CHK'D	KLN			DWG	A
				SIZE	