

# PANDUIT

## DNT-100

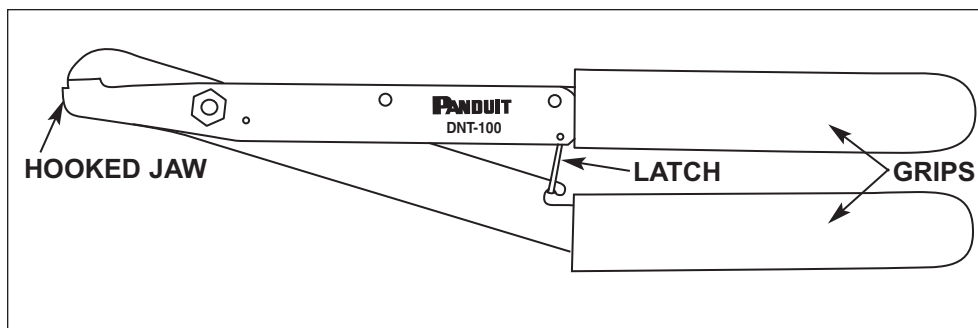
### OPERATION INSTRUCTIONS

© Panduit Corp. 2018

## WIRE DUCT NOTCHING TOOL

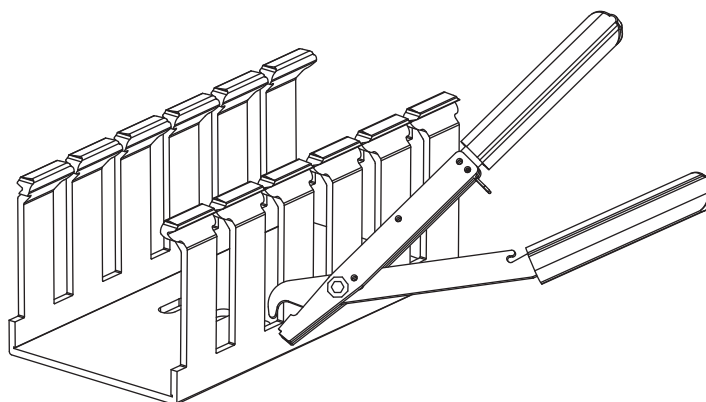
### Part No. DNT-100

### Panduit Plastic Wiring Duct



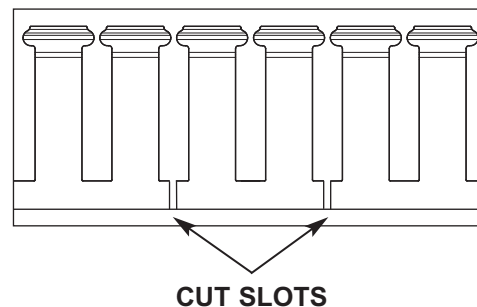
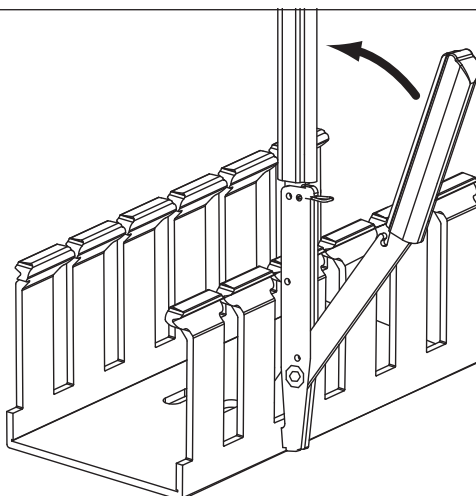
#### STEP 1

- Determine number of fingers (section) to be removed from duct.
- Insert hooked jaw (as shown) into the slot adjacent to the first finger to be removed.
- Seat hooked jaw into score line at base of duct.



#### STEP 2

- Close jaws to cut a slot next to the finger. Repeat at other side of section to be removed.  
(continued on Page 2)



**TOOL MAINTENANCE:** This tool requires no special maintenance.

**NOTE:** This precision tool has been engineered and designed for use with Panduit Plastic Wiring Duct. It is not intended for use with other products or materials.

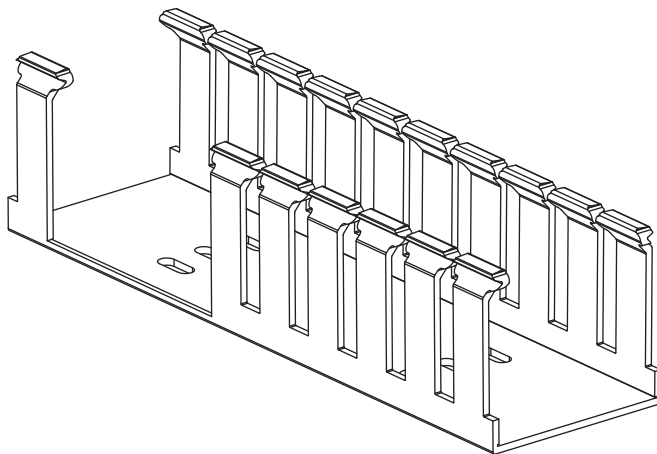
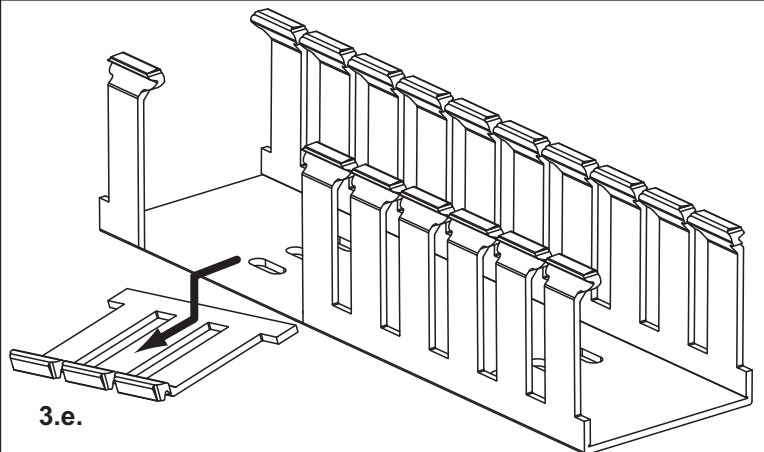
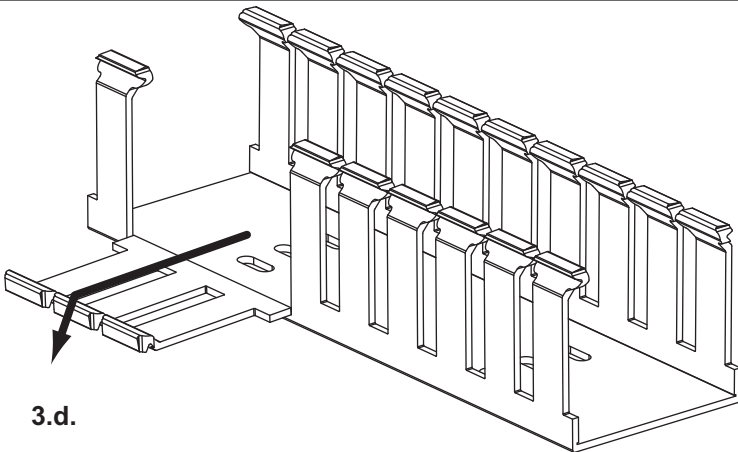
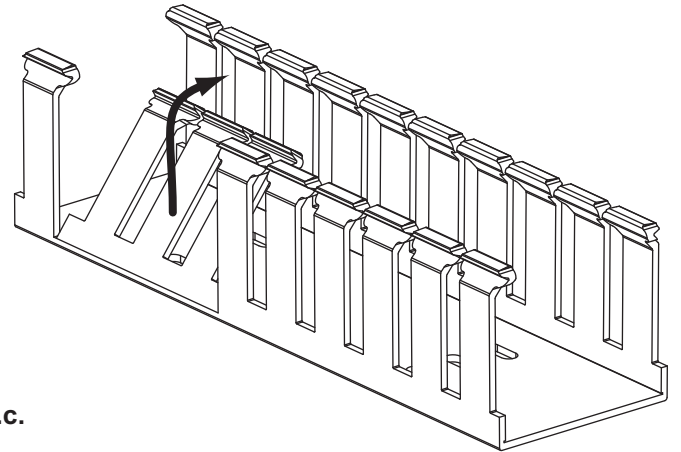
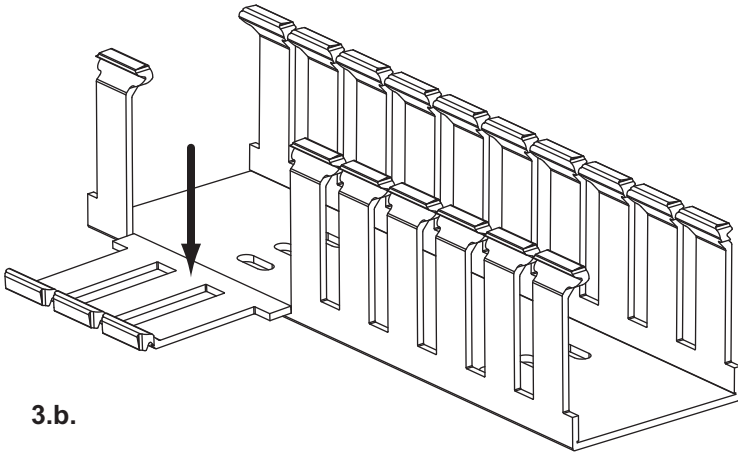
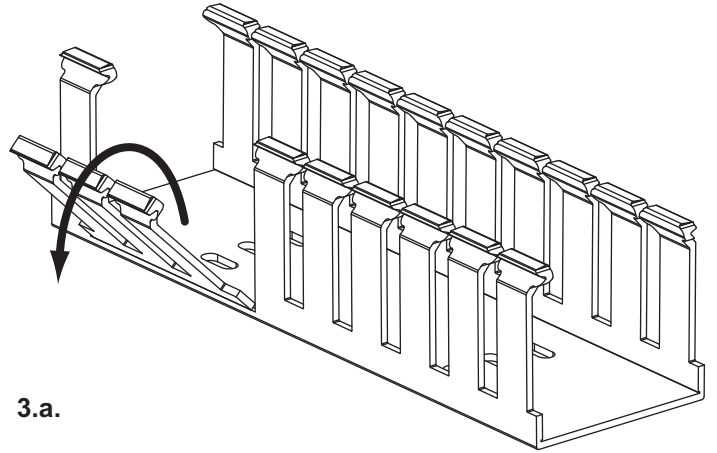
E-mail:  
techsupport@panduit.com

**PANDUIT**  
www.panduit.com

Technical Support:  
1-800-777-3300

**STEP 3 - REMOVING SECTION**

- 3.a. Bend section outward
- 3.b. Push down and fold at score line
- 3.c. Bend back inward
- 3.d. Bend back outward
- 3.e. Snap off at score line



Leaves a smooth consistent edge.