

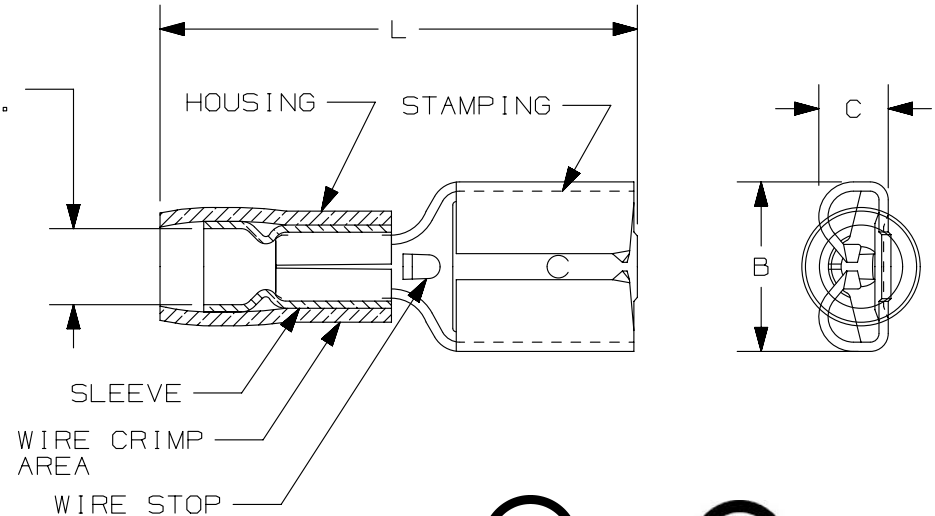
THIS COPY IS PROVIDED ON A RESTRICTED BASIS AND IS NOT TO BE USED IN ANY WAY DETRIMENTAL TO THE INTERESTS OF PANDUIT CORP.

PANDUIT PART #	TAB SIZE in. [mm]	WIRE RANGE AWG [mm ²]	COLOR	DIMENSIONS in. [mm]			
				MAX. INSUL.	L ± .03 [0,8]	B ± .01 [0,3]	C ± .004 [0,1]
DNF18-250	.250 X .032 [6,4 X 0,8]	#22-18 [0,5-1,0]	RED	.14 [3,6]	.81 [20,6]	.29 [7,4]	.12 [3,1]
DNF14-250		#16-14 [1,5-2,5]	BLUE	.16 [4,1]	.83 [21,1]	.29 [7,4]	.12 [3,1]

NOTES:

- USED FOR:
 - STRANDED COPPER WIRE ONLY
 - 194°F [90°C] MAX. OPERATING TEMPERATURE
 - 300 V. MAX VOLTAGE RATING
 - 6-12 LBS INITIAL INSERTION/WITHDRAWL FORCE
- INSTALLATION TOOLS:
 - UL LISTED AND CSA CERTIFIED: CT-1550, CT-1551 CT-600A (CT-570CH), CT-2500 (CT-2570CH)
 - PANDUIT APPROVED: CT-100A, CT-160, CT-260, CT-1550, CT-1551
- WIRE STRIP LENGTH: 9/32" ^{+1/32}/₀ [7,1^{±0,3}]
- MATERIAL:
 - STAMPING: BRASS, TIN PLATED
 - HOUSING: NYLON
 - SLEEVE: BRASS, TIN PLATED
- SEE www.panduit.com FOR PACKAGE QUANTITIES INDICATED BY PART NUMBER SUFFIX
- DIMENSIONS IN BRACKETS ARE METRIC EQUIVALENT

MAX. WIRE INSUL. DIA.



LISTED
20H3
E78522



CERTIFIED
LR31212

TITLE		FEMALE DISCONNECTS, NYLON INSULATED, FUNNEL		
CUSTOMER DRAWING				
ITEM REVISION NAME		N41200BA/08		
DATASET FILE NAME		N41200BA_DC/08A		
UNLESS OTHERWISE SPECIFIED, DIMENSIONAL TOLERANCES ARE: IN [mm]		MATERIAL: SEE NOTES		
.x ± .1 [2.54] .xxx ± .005 [0.127]		DRAWING NUMBER: A41200		
.xx ± .01 [0.25] ANGLES ± 5°		THIRD ANGLE PROJECTION		
DRAWN BY	DATE	CHK	SCALE	SIZE
FES	-	LA	N.T.S.	A
SHT 1 OF 1				

REV	DATE	BY	CHK	APR	DESCRIPTION	ECN
08	10.02.12	JBN	LCA	VMB	ADDED METRIC EQUIVALENT. REVISED NOTES. UPDATED TO CURRENT STANDARDS.	A41200

D10100DA/15