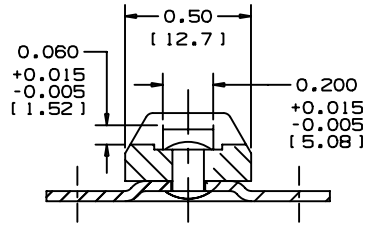
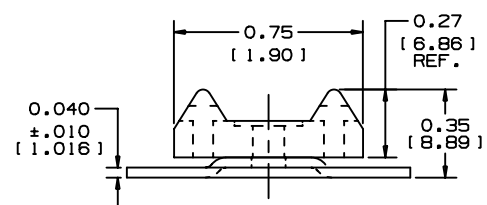
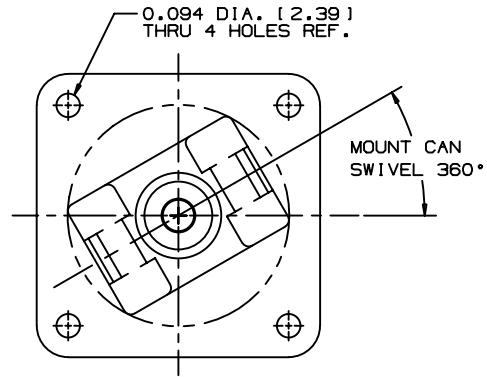
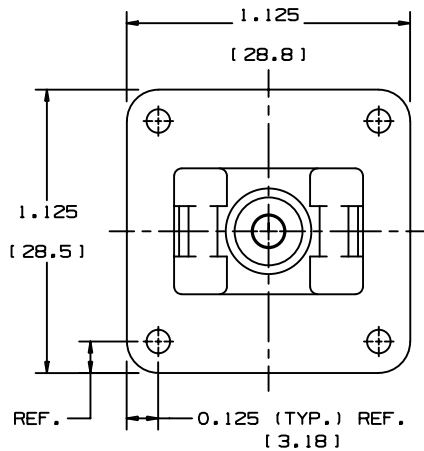


THIS COPY IS PROVIDED ON A RESTRICTED BASIS AND IS NOT TO BE USED IN ANY WAY DETRIMENTAL TO THE INTERESTS OF PANDUIT CORP.

NO WARRANTY, EXPRESSED OR IMPLIED, IS MADE BY PANDUIT WITH RESPECT TO ADHESIVE BOND PERFORMANCE. AMONG OTHER THINGS, THE CONDITIONS UNDER WHICH THESE MOUNTS MAY BE APPLIED, THE SURFACE TO WHICH THEY MAY BE APPLIED, AND/OR THE ADHESIVES THAT MAY BE USED ARE BEYOND PANDUIT'S CONTROL.

PANDUIT PART NUMBER*	WEIGHT lbs/100 pcs (g)/100 pcs	USE WITH ANY OF THESE CABLE TIE CROSS-SECTIONS
ASMS-A	0.07 [ 1.78 ]	M, I, S



- TO APPLY MOUNTS:
1. CLEAN BOTH SURFACES TO BE JOINED.
  2. FOLLOW THE ADHESIVE SUPPLIERS DIRECTIONS FOR SURFACE PREPERATION AND APPLICATION.
  3. ALLOW SUFFICIENT CURE TIME BEFORE INSTALLING THE BUNDLE.

- NOTES:
- \*1. SEE CURRENT PRICE SHEET FOR PART NUMBER SUFFIX DESIGNATION FOR PACKAGE SIZE.
  2. MATERIAL:  
MOUNT-NYLON 6/6, NATURAL  
RIVET-ALUMINUM  
BRACKET-ALUMINUM
  3. DESIGNED FOR MOUNTING WITH EPOXY ADHESIVE OR OTHER ADHESIVES SUITABLE FOR BONDING ALUMINUM. THE ADHESIVE TO BE SUPPLIED BY USER.
  4. CABLE TIE CROSS-SECTION CODE:  
M - MINIATURE  
I - INTERMEDIATE  
S - STANDARD

DIMENSIONS IN BRACKETS ARE METRIC [ mm ]  
CAD FILENAME/LAYERS: G00239DR\_PB\_ASMSA\_01

**PANDUIT** CORP. TINLEY PARK, ILLINOIS

ASMS-A  
ADHESIVE SWIVEL MOUNT

UNLESS OTHERWISE SPECIFIED, DIMENSIONAL TOLERANCES ARE: (.X) ±0.03 [ .78 ] (.XXX) ±0.030 [ 0.78 ] (.XX) ±0.03 [ .78 ] ANGLES ± 5°		UNLESS OTHERWISE SPECIFIED, ALL DIMENSIONS ARE GIVEN IN INCHES, THIRD ANGLE PROJECTION.	
DRAWN BY: C JG	MAT'L:	SCALE: NONE	
DATE: 6/19/96	ALUMINUM NYLON 6/6	DRAWING NO.:	DWG SIZE:
CHK'D:		GB0239DR	A

REV	DATE	BY	CHK	DESCRIPTION	ECN	R	CUST	SUP
I	6/18/01	LGG		UPDATED DRAWING FOR WEB	GB0239DR	I		
R	6/19/96	CJG		INITIAL RELEASE	GB0239DR	R		