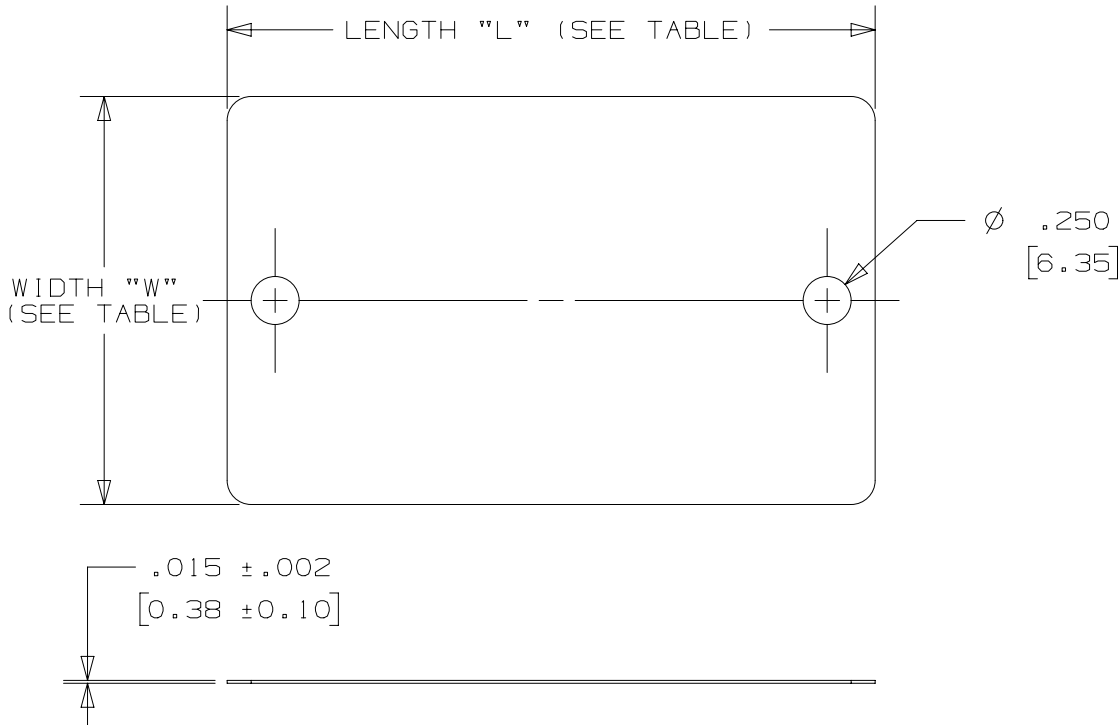


THIS COPY IS PROVIDED ON A RESTRICTED BASIS AND IS NOT TO BE USED IN ANY WAY DETRIMENTAL TO THE INTERESTS OF PANDUIT CORP.

PANDUIT PART NO.	MATERIAL	PACKAGE QUANTITY	LENGTH "L" +/- .02 [ .5 ]	WIDTH "W" +/- .02 [ .5 ]
MMP350W17-Q	304 SS	25	3.50 [ 88.9 ]	1.73 [ 43.9 ]
MMP350W17-M	304 SS	1000	3.50 [ 88.9 ]	1.73 [ 43.9 ]



NOTES:

- BRACKETS [ ] DENOTES DIMENSIONS IN MILLIMETERS, AND SHOWN FOR REFERENCE ONLY
- CUSTOM PERMANENT MARKING AVAILABLE, CONSULT FACTORY

REV	DATE	BY	CHK	APR	DESCRIPTION	ECN
03A	12/11/17	RVU	CLW	JHAC	ADD MMP350W17-M TO TABLE.	GAECN04433
02A	3/13	JAMB	MIM	RGRO	UPDATE DRAWING TO NEW GLOBAL PANDUIT TITLE BLOCK WITH PANDUIT LOGO	SSECN01037
01A	4/10	MIM	JJB	---	PANDUIT PART NUMBER MMP338W21-Q OBSOLETE PANDUIT PART NUMBER MMPB338W21-Q OBSOLETE	-----
00A	11/08	JAMB	SKB	---	ORIG CAD FILE SPEC WAS S41129_00 REMOVED PANDUIT PART NO. MMPB350W17-Q FROM TABLE	-----
00	10/02	JAMB	SKB	JJB	DRAWING RELEASED	SS00405

TITLE		RECTANGULAR 2-HOLE METAL MARKER PLATE		
		CUSTOMER DRAWING		
ITEM REVISION NAME		N41129BS/03		
DATASET FILE NAME		N41129BS_DC/03A		
UNLESS OTHERWISE SPECIFIED, DIMENSIONAL TOLERANCES ARE: IN (mm)				
.x ± .1 [ 2.54 ]      .xxx ± .005 [ .127 ] .xx ± .01 [ .25 ]      ANGLES ± 5 °				
DRAWING NUMBER:		N41129BS_DC		
DRAWN BY	DATE	CHK	SCALE	SIZE
JAMB	10/02	SKB	NTS	A
SHT 1 OF 1				