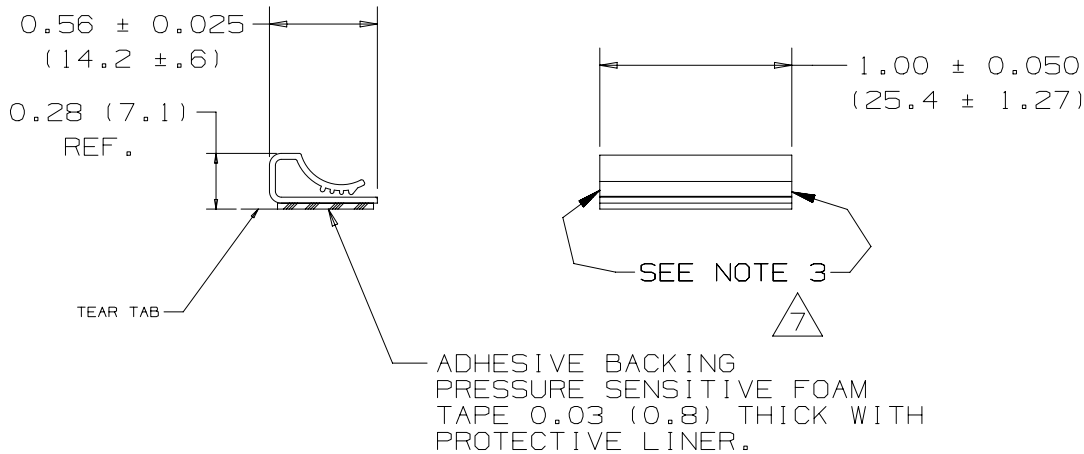


THIS COPY IS PROVIDED ON A RESTRICTED BASIS AND IS NOT TO BE USED IN ANY WAY DETRIMENTAL TO THE INTERESTS OF PANDUIT CORP.

NO WARRANTY, EXPRESSED OR IMPLIED, IS MADE BY PANDUIT WITH RESPECT TO ADHESIVE BOND PERFORMANCE. AMONG OTHER THINGS, THE CONDITIONS UNDER WHICH THESE MOUNTS MAY BE APPLIED AND/OR THE SURFACE TO WHICH THEY MAY BE APPLIED ARE BEYOND PANDUIT'S CONTROL.

PANDUIT PART NUMBER *	WEIGHT lbs. (g) / 100 pcs.	STATIC LOAD ** lbs. (g)
FCC5-A	0.23 (105)	0.25 (117)



TO APPLY MOUNT:

1. REMOVE PROTECTIVE LINER.
2. PLACE IN DESIRED LOCATION.
3. APPLY PRESSURE TO TOP CENTER OF MOUNT.

NOTES:

- * 1. SEE CURRENT PRICE SHEET FOR PART NUMBER SUFFIX DESIGNATION FOR PACKAGE SIZE.
- ** 2. MOUNT DESIGNED TO SUPPORT MAX. WEIGHT ON A CLEAN, DRY SMOOTH SURFACE.
- 3. LIGHT FLASH MAY BE PRESENT ON CUT EDGES OF CLIP.

7	1/9/2020	RVU	ANRO	JHAC	ADDED NOTE 3, "LIGHT FLASH MAY BE PRESENT ON CUT EDGES OF CLIP".	GAECN05526
6	10/22/12	BWG			CHANGED OVERALL HEIGHT DIM. TO REF.	GB0239BI
5	4/15/05	TMSA			CHANGED DIM. .290 TO .280. CHANGED TOL ON HEIGHT FROM +/- .015 TO +/- .020.	GB0239BI
4	6/9/04	JAD			CHANGED TOL. ON CUT LENGTH FROM +/- .035 TO +/- .050.	GB0239BI
3	6/25/01	LGG			UPDATED FOR WEB.	GB0239BI
2	10/6/98	SJSU			CHANGED OVERALL HEIGHT FROM .260 TO .290.	GB0239BI
1	2/16/94	SJSU			REVERSED TEAR TAB.	GB0239BI
R	11/2/92	SJSU			INITIAL RELEASE.	GB0239BI

TITLE	
FLAT CABLE CLIP, 1/2 IN. WIDE (FCC5-A) CUSTOMER DRAWING	
ITEM REVISION NAME	G03597F0/02
DATASET FILE NAME	G03597F0_DC_GB0239BI_REV_07
UNLESS OTHERWISE SPECIFIED, DIMENSIONAL TOLERANCES ARE: IN [mm]	MATERIAL:
.x ± 0.1 [2.5] .xx ± ANGLES ± 5 °	GRAY PVC
THIRD ANGLE PROJECTION	DRAWING NUMBER: GB0239BI

REV	DATE	BY	CHK	APR	DESCRIPTION	ECN	DRAWN BY	DATE	CHK	SCALE	SHT 1 OF 1	SIZE
							SJSU	11/2/92	JHAC	NONE		A

D10100DA/20