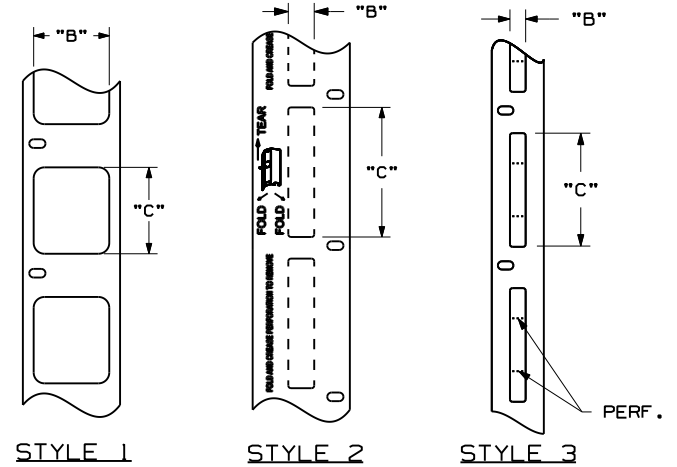
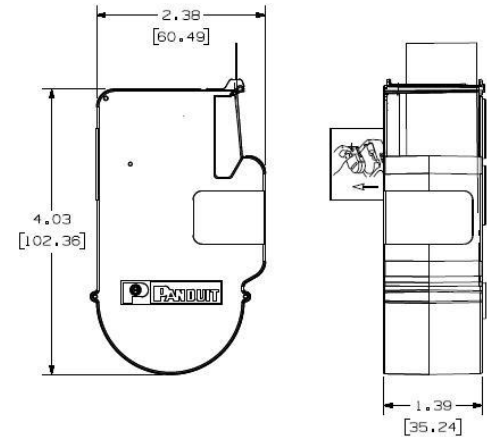


THIS COPY IS PROVIDED ON A RESTRICTED BASIS AND IS NOT TO BE USED IN ANY WAY DETRIMENTAL TO THE INTERESTS OF PANDUIT CORP.

PANDUIT PART NO.	PART DESCRIPTION	MATERIAL	STYLE	"B"	"C"	LABELS/ROLL
C061X030F JC	WHITE, POLYOLEFIN LABEL	GMPO	1	0.61 (15.49)	0.30 (7.62)	500
C125X030F JC	WHITE, POLYOLEFIN LABEL	GMPO	1	0.30 (7.62)	1.25 (31.75)	200
C138X019F JC	WHITE, POLYOLEFIN LABEL	GMPO	3	0.19 (4.83)	1.38 (35.05)	200
C150X030Y1C	WHITE, POLYOLEFIN LABEL	GMPO	2	0.30 (7.62)	1.50 (38.10)	200
C188X030F JC	WHITE, POLYOLEFIN LABEL	GMPO	1	0.30 (7.62)	1.88 (47.75)	150
C195X040Y1C	WHITE, NON-ADHESIVE POLYESTER LABEL	GMPO	2	0.40 (10.16)	1.95 (49.53)	100
C200X100F JC	WHITE, POLYOLEFIN LABEL	GMPO	1	1.00 (25.40)	2.00 (50.80)	150
C252X030F JC	WHITE, POLYOLEFIN LABEL	GMPO	1	0.30 (7.62)	2.52 (64.01)	125
C261X030F JC	WHITE, POLYOLEFIN LABEL	GMPO	1	0.30 (7.62)	2.61 (66.29)	125
C261X035Y1C	WHITE, NON-ADHESIVE POLYESTER LABEL	GMPO	2	0.35 (8.89)	2.61 (66.29)	75
C282X030Y1C	WHITE, NON-ADHESIVE POLYESTER LABEL	GMPO	2	0.30 (7.62)	2.82 (71.63)	75
C288X040Y1C	WHITE, NON-ADHESIVE POLYESTER LABEL	GMPO	2	0.40 (10.16)	2.88 (73.15)	75
C315X030F JC	WHITE, POLYOLEFIN LABEL	GMPO	1	0.30 (7.62)	3.15 (80.01)	100
C379X030F JC	WHITE, POLYOLEFIN LABEL	GMPO	1	0.30 (7.62)	3.79 (96.27)	75
C390X030Y1C	WHITE, NON-ADHESIVE POLYESTER LABEL	GMPO	2	0.30 (7.62)	3.90 (99.06)	50
C750X050Y1C	WHITE, NON-ADHESIVE POLYESTER LABEL	GMPO	2	0.50 (12.70)	7.50 (190.50)	30
C788X050Y1C	WHITE, NON-ADHESIVE POLYESTER LABEL	GMPO	2	0.50 (12.70)	7.88 (200.15)	30



NOTES:
1. DIMENSIONS IN [] ARE IN MILLIMETERS.

CAD FILENAME/LAYERS
I00743BZ_DC_C10698/06A

PANDUIT CORP. TINLEY PARK, ILLINOIS
CUSTOMER DRAWING
P1 C***X*** CASSETTE
NETWORK COMPONENT LABEL

UNLESS OTHERWISE SPECIFIED,
DIMENSIONAL TOLERANCES ARE:
(.X) ± .1 (XXX) ± .025
(.XX) ± .030 ANGLES ±

UNLESS OTHERWISE SPECIFIED,
ALL DIMENSIONS ARE GIVEN
IN INCHES, THIRD ANGLE PROJECTION.

DRAWN BY
RVU

MAT'L:

SCALE
FULL

DATE
4/30/08

SEE TABLE

DRAWING NO.

C10698

DWG
A
SIZE

0	4/30/08	RVU		DRAWING RELEASE	5403	R				
REV	DATE	BY	CHK	DESCRIPTION	ECN	R	CUST	SUP		