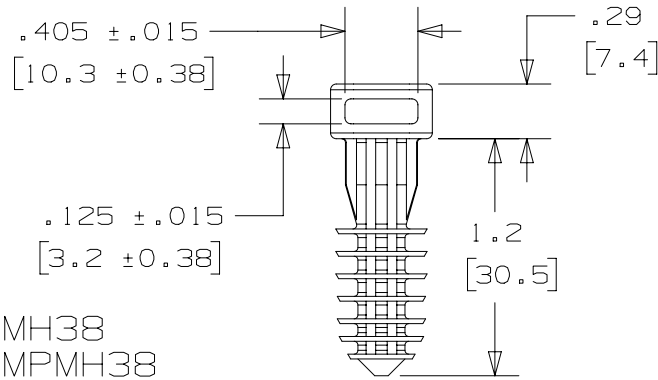
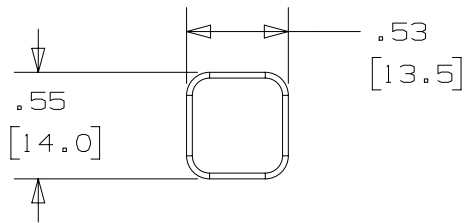
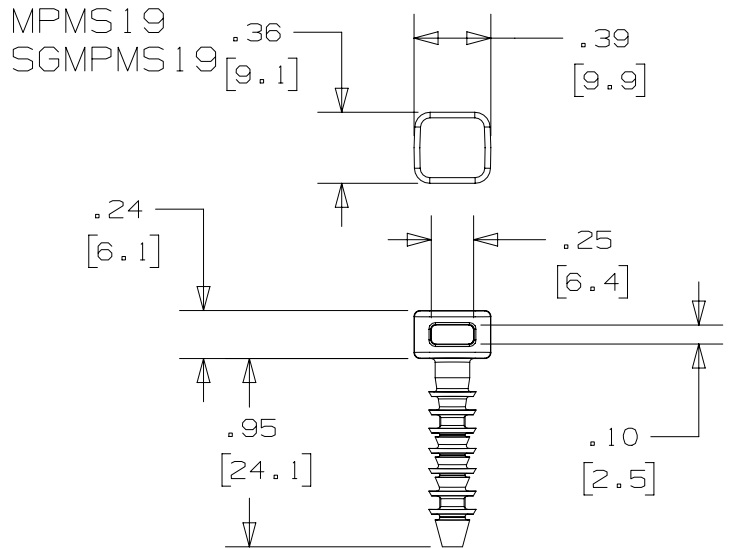
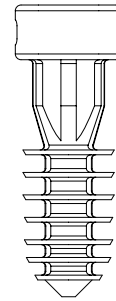


THIS COPY IS PROVIDED ON A RESTRICTED BASIS AND IS NOT TO BE USED IN ANY WAY DETRIMENTAL TO THE INTERESTS OF PANDUIT CORP.

PANDUIT PART NO. *	USE WITH CABLE TIE	HOLE SIZE inch / (mm)	WEIGHT lbs / 100 (g) / pcs
MPMS19-	M, I, S, SG100M, SG1501, SG200S, SG250S, SG300S, SG370S	0.187 dia x 1.25 deep (5.0 dia x 31.8 deep)	0.18 (83)
SGMPMS19-			
MPMH38-	M, I, S, LH, H, SG100M, SG1501, SG200S, SG250S, SG300S, SG370S, SG350LH, SG450H	0.375 dia x 1.50 deep (10.0 dia x 38.1 deep)	0.464 (210.6)
SGMPMH38-			



MPMH38  
SGMPMH38



MPMS19  
SGMPMS19



**NOTES:**

- \* 1. SEE CURRENT PRICE SHEET FOR PART NUMBER SUFFIX DESIGNATION FOR PACKAGE SIZE.
- 2. MATERIAL: WEATHER RESISTANT NYLON 6/6  
COLOR: BLACK.
- 3. BAG MAY CONTAIN EXTRA PIECES TO COMPENSATE FOR VARIANCE IN THE PACKAGING PROCESS. PANDUIT ASSURES MINIMUM PIECE COUNT AS STATED ON THE BAG.

TITLE	
<b>MASONRY PUSH MOUNT</b> (MPMS19-, SGMPMS19-, MPMH38-, SGMPMH38-) CUSTOMER DRAWING	
ITEM REVISION NAME	G03597HB/01
DATASET FILE NAME	G03597HB_DC_GB0239IG_02/01
UNLESS OTHERWISE SPECIFIED, DIMENSIONAL TOLERANCES ARE: IN [mm]	
.x ± 0.05 [1.3]	.xxx ± 0.01 [0.25]
.xx ± 0.02 [0.5]	ANGLES ± 5 °
THIRD ANGLE PROJECTION	
MATERIAL: <b>SEE NOTE 2</b>	
DRAWING NUMBER: GB0239IG	
DRAWN BY	JAD
DATE	9/24/03
CHK	JADE
SCALE	NONE
SHT 1 OF 1	
SIZE A	

REV	DATE	BY	CHK	APR	DESCRIPTION	ECN
02	1/25/2021	RVU	JADE	RMHI	ADDED NOTE 3.	GAECN05865
01	6/20/06	TMSA			ADDED PART NUMBER SGMPMH38 & SGMPMS19 REVISED DIMENSIONS FOR SGMPMS19, SGMPMH38.	GB0239IG

D10100DA/20