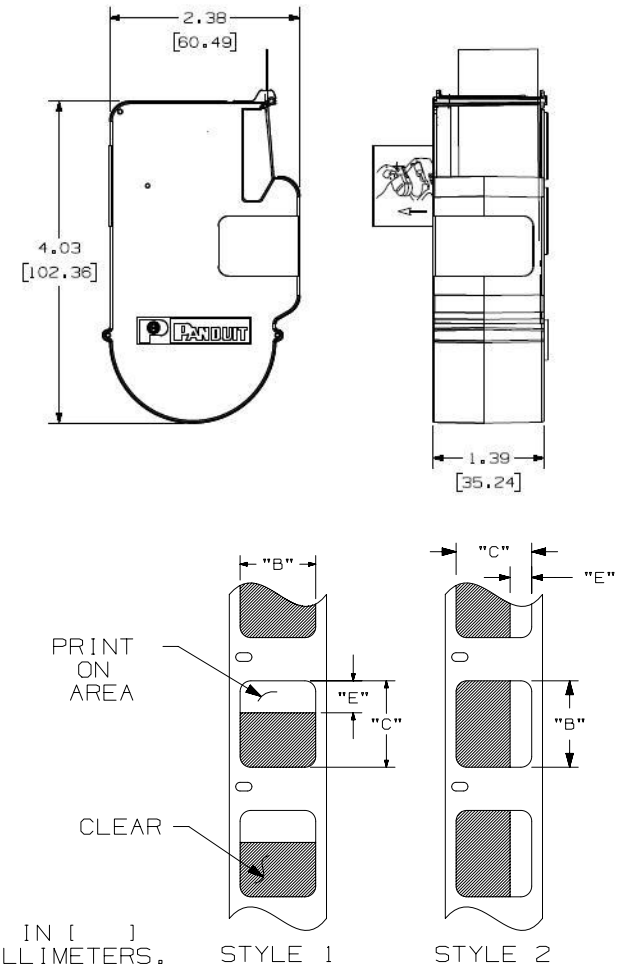


THIS COPY IS PROVIDED ON A RESTRICTED BASIS AND IS NOT TO BE USED IN ANY WAY DETRIMENTAL TO THE INTERESTS OF PANDUIT CORP.

PANDUIT PART NO.	PART DESCRIPTION	MATERIAL	STYLE	"B"	"C"	"E" ±.050	COLOR (PRINT ON AREA)	LABELS PER ROLL
S025X075VAC	18-14 AWG WIRE	GMV17	2	0.75 [19.05]	0.25 [6.35]	0.25 [6.35]	WHITE	650
S050X075VAC	18-14 AWG WIRE				0.50 [12.70]			450
S050X125VAC	12-10 AWG WIRES	GMV17 OR GMV18	1	0.50 [12.70]	1.25 [31.75]	0.38 [9.65]		225
S050X150VAC	CAT. 5e/ CAT. 6 CABLE				1.50 [38.10]	0.50 [12.70]		200
S075X075VAC	18-14 AWG WIRE	GMV17	1	0.75 [19.05]	0.75 [19.05]	0.25 [6.35]		350
S075X100VAC	12-10 AWG WIRES				1.00 [25.40]	0.38 [9.65]		275
S075X125VAC	12-10 AWG WIRES				1.25 [31.75]	0.38 [9.65]		225
S075X150VAC	CAT. 5e/ CAT. 6 CABLE	GMV17 OR GMV18	1	1.00 [25.40]	1.50 [38.10]	0.50 [12.70]		200
S100X075VAC	18-14 AWG WIRE	GMV17			0.75 [19.05]	0.25 [6.35]		350
S100X125VAC	12-10 AWG WIRES				1.25 [31.75]	0.38 [9.65]		225
S100X150VAC	CAT. 5e/ CAT. 6 CABLE	GMV17 OR GMV18			1.50 [38.10]	0.50 [12.70]	200	
S100X160VAC	NWSLC-2Y AND NWSLC-3Y				1.60 [40.64]	0.80 [20.32]	175	
S100X220VAC	NWSLC-7Y				2.20 [55.88]	1.10 [27.94]	125	
S100X150VBC	CAT. 5e/ CAT. 6 CABLE				BLUE	1.50 [38.10]	0.50 [12.70]	200
S100X150VDC	CAT. 5e/ CAT. 6 CABLE							GREEN
S100X150VHC	CAT. 5e/ CAT. 6 CABLE							RED
S100X150VIC	CAT. 5e/ CAT. 6 CABLE							YELLOW
S100X225VAC	8-4 AWG CABLE		WHITE	2.25 [57.15]				0.75 [19.05]
S100X225VBC	8-4 AWG WIRES	BLUE						
S100X225VDC	8-4 AWG WIRES	GREEN						
S100X225VHC	8-4 AWG WIRES	RED						
S100X225VIC	8-4 AWG WIRES	YELLOW						
S100X400VAC	1-2 AWG WIRES	WHITE	4.00 [101.60]	1.00 [25.40]	75			
S100X650VAC	1/0-250 MCM WIRES		6.50 [165.10]	1.50 [38.10]	50			



NOTES:
1. DIMENSIONS IN [] ARE IN MILLIMETERS.

REV	DATE	BY	CHK	APR	DESCRIPTION	ECN
5	8/8/2022	JEFP	DAPE	MSAD	CHANGED MATERIAL TO GMV17 OR GMV18 FOR CERTAIN PART NUMBERS	GAECN06570
4	1/18/17	RVU	JW	JHAC	Change Reference Material from GMV16 to GMV17.	GAECN03532
3	3/9/12	RVU	SEWH	MSAD	CHANGE STYLE 1.00 to 1 AND LABEL/ROLL, 50.00 TO 50.	6588
2	9/15/10	RVU	SEWH	MSAD	add a new label- S025X075VAC. 650 labels/cassette. "C", 0.25.	6144
1	5/18/10	RVU	SEWH	MSAD	GMV16 WAS GMV15.	6052
0	4/21/08	RVU	SEWH	MSAD	DRAWING RELEASE.	5403

TITLE		P1 LABEL CASSETTE SELF-LAMINATING LABEL	
ITEM REVISION NAME		CUSTOMER DRAWING	
100743SR/19		PANDUIT	
DATASET FILE NAME			
100743SR_DC_C10694/19A		MATERIAL:	
UNLESS OTHERWISE SPECIFIED, DIMENSIONAL TOLERANCES ARE: IN [mm]		SEE TABLE	
.x ± .1 [2.54] .xxx ± .005 [.127]		DRAWING NUMBER:	
.xx ± .01 [.25] ANGLES ± 5 °		C10694	
THIRD ANGLE PROJECTION		DRAWN BY	
RVU		DATE	
4/22/08		CHK	
JHAC		SCALE	
NTS		SHT 1 OF 1	
A		SIZE	