

THIS COPY IS PROVIDED ON A RESTRICTED BASIS AND IS NOT TO BE USED IN ANY WAY DETRIMENTAL TO THE INTERESTS OF PANDUIT CORP.

WIRE SIZE	NUMBER OF WIRES	NUMBER OF ADDITIONAL WIRES OF ONE SIZE					
		#24	#22	#20	#18	#16	#14
#24 AWG	1	1-10	1-6	1-4	1 OR 2	1	1
	2	1-9	1-5	1-3	1 OR 2	1	1
	3	1-8	1-4	1 OR 2	1 OR 2	1	0
	4	1-7	1-4	1 OR 2	1	1	0
	5	1-6	1-3	1	1	0	0
	6	1-5	1-3	1	0	0	0
	7	1-4	1 OR 2	0	0	0	0
#22 AWG	1	1-10	1-5	1-4	1 OR 2	1	1
	2	1-8	1-4	1-3	1 OR 2	1	0
	3	1-6	1-3	1 OR 2	1	1	0
	4	1-4	1 OR 2	1	1	0	0
	5	1 OR 2	1	1	0	0	0
#20 AWG	1	1-6	1-4	1-4	1 OR 2	1	1
	2	1-4	1-3	1-3	1 OR 2	1	0
	3	1 OR 2	1 OR 2	1 OR 2	1	0	0
	4	1	1	1	0	0	0
#18 AWG	1	1-5	1-4	1-3	1 OR 2	1	0
	2	1-3	1 OR 2	1 OR 2	1	0	0
#16 AWG	1	1-4	1-3	1 OR 2	1	1	0
#14 AWG	1	1 OR 2	1	1	0	0	0

1. USED FOR:
- A. FOR SOLID OR STRANDED COPPER WIRE
 - B. 600V MAX BUILDING WIRE, (1000V. MAX IN SIGNS, FIXTURES, AND LUMINAIRES)
 - C. 221°F (105°C) MAX TEMP RATING
 - D. SEE CHART FOR WIRE COMBINATIONS
 - E. WIRE COMBINATIONS USING #24 AWG WIRE ARE NOT UL LISTED OR CSA CERTIFIED

2. INSTALLATION TOOLS:
- A. UL LISTED AND CSA CERTIFIED: CT-500, CT-1550, CT-1551, CT-2400, CT-2500 (CT-2550CH), CT-600-A (CT-500CH)
 - B. PANDUIT APPROVED: CT-100A, CT-160, CT-250, CT-260, CT-400, CT-550

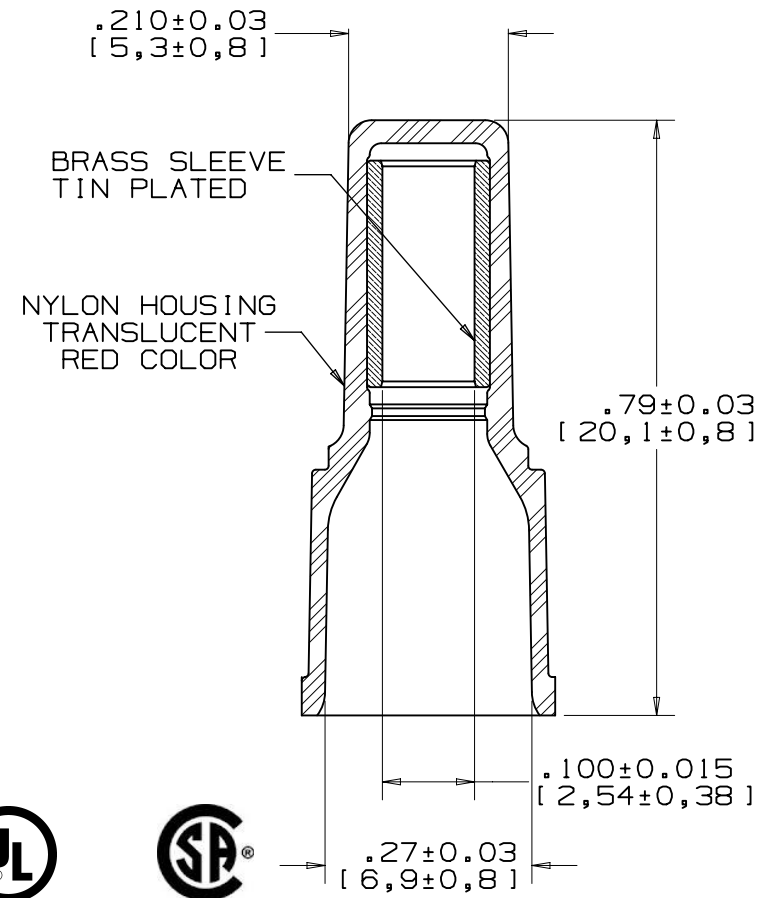
3. WIRE STRIP LENGTH: $7/16" \begin{matrix} +1/32 \\ -0 \end{matrix}$ [11,1 mm $\begin{matrix} +0,8 \\ -0 \end{matrix}$]

4. SEE www.panduit.com FOR PART NUMBER SUFFIX DESIGNATION FOR PACKAGE SIZE.

5. DIMENSIONS IN BRACKETS ARE METRIC EQUIVALENT

6. TWIST ENDS OF STRIPPED WIRE TOGETHER BEFORE INSERTING INTO WIRE JOINT

07	5/21	JHNU	JADE	JADE	ADDED WIRE STRIP LENGTH AND WIRE TWIST NOTES	101391
06	6/15	TMR	TMR	RGB	ADD TOL DIMS, REMOVE SLEEVE THK, REVISED UL TOOL INFO	N41341BA-DC
05	8/11	SHOR			MODIFIED NOTE #2	



LISTED
587H
E52164



CERTIFIED
LR31212

TITLE	
NYLON INSULATED WIRE JOINT JN224-318	
CUSTOMER DRAWING	
ITEM REVISION NAME	N41341BA/07
DATA SET FILE NAME	N41341BA/07
UNLESS OTHERWISE SPECIFIED, DIMENSIONAL TOLERANCES ARE: IN [mm]	
.x ± .1 [2.54]	.xxx ± .005 [.127]
.xx ± .01 [.25]	ANGLES ± 5°
 THIRD ANGLE PROJECTION	
MATERIAL: SEE NOTES	
DRAWING NUMBER: A41341	
DRAWN BY	TSM
DATE	
CHK	TRS
SCALE	NONE
SHT 1 OF 1	
SIZE A	

D10100DA/16