

connector - with screwless terminals, for harsh applications

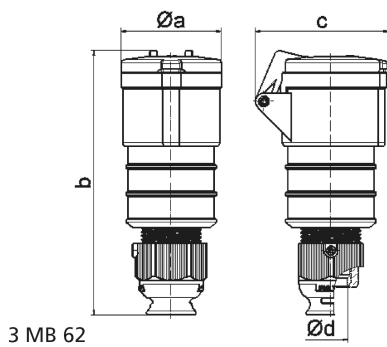


Product description	
BALS-Prd.-Nr	310441
EAN	4024941205221
Product category	QUICK-CONNECT TE connector
Current	16A
Number of poles	4p
Arrangement of phases	3P+PE
Position of earth contact	5 h
Voltage	600 - 690V~

Product description	
Frequency	50/60Hz
Protection degree	IP44
Colour code	black RAL 9005
Colour of appliance	Hinged lid black RAL 9005, Cable gland grey RAL 7035, Enclosure black RAL 9005
Connection design	screwless spring terminals with Kontex-Kontakt
Maximum conductor size	2,5 qmm
Cable entry	with cable gland
Height	162mm
Width	58mm
Depth	78mm
Material of enclosure	Polyamide
Contacts	The contact carrier is made of high temperature resistant material, the contacts are brass nickel plated

Logistics data	
Weight/pcs	0.167 kg / Piece
Packaging	Bag
Content amount	1 ST
EAN	4024941205221
Length	78 mm
Width	58 mm

Logistics data	
Height	162 mm
Weight	0.168 kg
Volume	732.888 ccm
Packaging	Carton
Content amount	10 ST
EAN	4024941838061
Length	275 mm
Width	175 mm
Height	137 mm
Weight	1.795 kg
Volume	5,737.5 ccm



Ampere	16	16	16	32	32	32
Polzahl	3	4	5	3	4	5
a ø	51,0	58,0	65,0	66,5	66,5	72,0
b	156,0	162,0	168,0	195,0	195,0	198,0
c	72,0	78,0	86,0	89,0	89,0	99,0
d ø	18,0	18,0	21,0	23,0	23,0	27,0
Leiter mm ² min	1	1	1	2,5	2,5	2,5
Leiter mm ² max	2,5	2,5	2,5	6	6	6