

Presence detector - Professional Line

IS 3360 40m

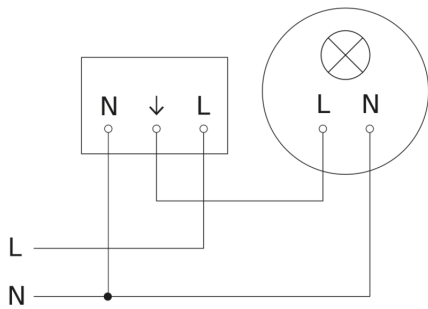
COM1 - concealed, sq. black
EAN 4007841 068530
Article number 068530



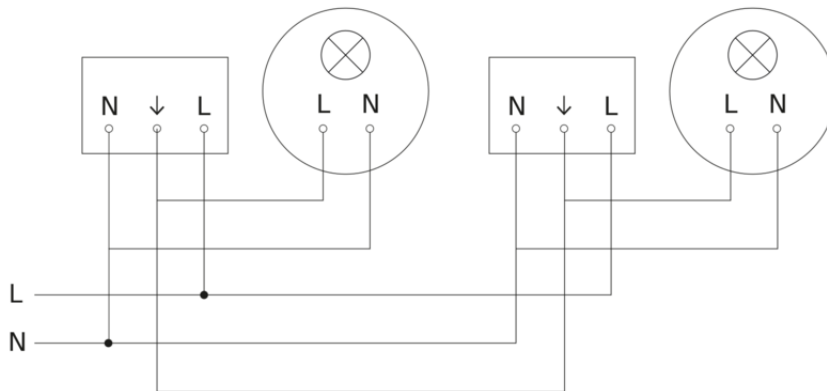
IS 3360 40m

COM1 - concealed, sq. black
EAN 4007841 068530
Article number 068530

Circuit diagram



Circuit diagram for interconnecting several sensors

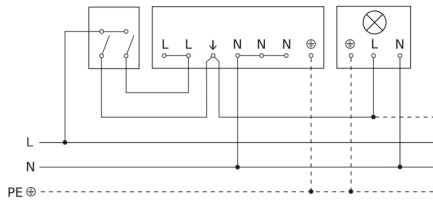


IS 3360 40m

COM1 - concealed, sq. black
EAN 4007841 068530
Article number 068530



Connection using two-circuit switch for manual and automatic operation



Circuit diagram Connection via a changeover switch for continuous and automatic operation

