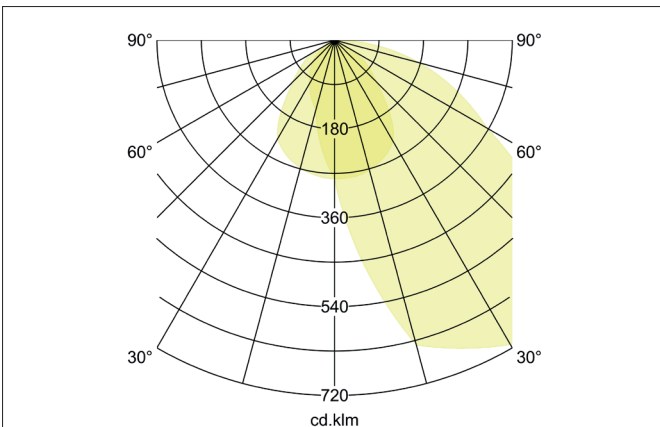
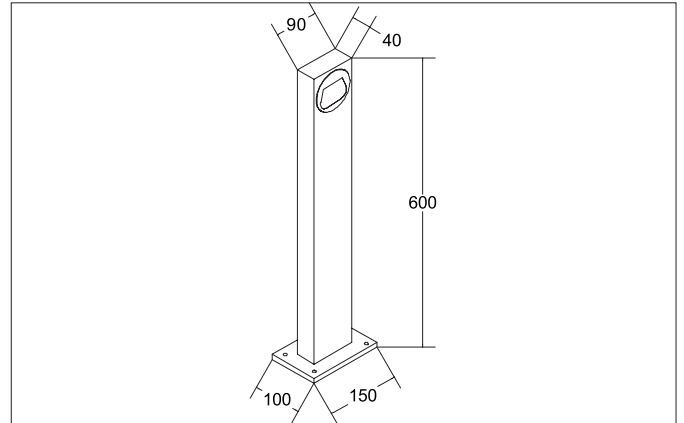


QUADER LED bollard light, IP54, height 600 mm
 Article no. 60120103

Light.
 For Generations.



Tender
 LED bollard light, IP54, height 600 mm, Other.Luminaire length 90.0 mm, Luminaire width 40.0 mm, Hight 600.0 mm Weight 1.84 kg, ,Luminous flux 730 lm, Power 1 x 11 W, Light colour warm white, Correlated color temprature (CCT) 3.000 K, Colour rendering index CRI > 80, Housing material: Aluminium / Glass, Colour: Graphite, Permissible ambient temperature (ta): -20 - + 50, Protection class (EN 61140): I, Degree of protection (DIN EN 60529): IP54, .With electronic driver, on/off switchable.

| Article data | |
|-------------------|--|
| Article no. | 60120103 |
| GTIN | 4251433926184 |
| Series name | QUADER |
| Short description | LED bollard light, IP54, height 600 mm |
| Material | Aluminium / Glass |
| Colour | Graphite |
| Shape | Other |
| Length | 90 mm |
| Width | 40 mm |
| Hight | 600 mm |
| Scope of delivery | Incl. converter for connection to the 230-V mains voltage, on/off switchable and 500 mm connecting cable |
| Weight | 1.840 kg |

QUADER LED bollard light, IP54, height 600 mm

Article no. 60120103

Light.
For Generations.

| Lighting technology | |
|---------------------|----------|
| Colour temperature | 3.000 K |
| Luminous flux | 730 lm |
| System efficiency | 66 lm/W |
| Colour rendering | CRI > 80 |
| Reflector | Without |
| Beam angle | 65° |

| Operating technology of the luminaire | |
|---------------------------------------|--|
| System output | 11 W |
| Voltage type | AC |
| AC nominal voltage max | 230 V |
| Frequenz max. | 50 Hz |
| Lamp | LED |
| Lamp holder | Without fitting |
| Protection class | I |
| Degree of protection | IP54 |
| Ambient temperature | -20 - + 50 |
| Control | on/off |
| Bulb change possible | The light source of this luminaire may only be replaced by the manufacturer or a service technician commissioned by him or a similarly qualified person. |

| Mounting technology | |
|-----------------------|------------------|
| Mounting method | Surface mounting |
| Place of installation | Floor-mounted |
| Adjustability | Not adjustable |

| Packing data | |
|-------------------------|---|
| Gross weight | 2.18 kg |
| Length of packaging | 220 mm |
| Packaging width | 140 mm |
| Packaging height | 675 mm |
| Disposal at end of life | This product must not be disposed of with household waste. You are obliged, to dispose of such electrical waste separately. By disposing of electrical waste and other old or defective electronics separately, you support recycling or other forms of re-use. In that way you help to take care and to avoid that harmful substances get into the environment. |