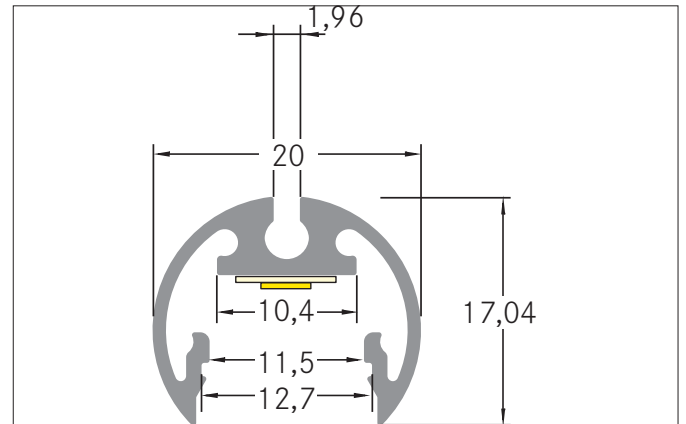


P90-16 Surface-mounted round profile

Article no. 73760260

Light.
For Generations.**Tender**

Surface-mounted round profile P90-16. For optimal attachment of the profile this holders are suitable 53095260. With the use of profile covers 53400000 53400070 the additional mechanical protection and optimal light distribution can be achieved. The associated end cap set is under 53090 available. for Mounting method: Mounting profile. Material: Aluminium, dimensions profile: length: 100 mm x width: 20 mm x height: 17 mm .

Product Benefits

- Surface-mounted round profile for targeted alignment of the lighting concept.
- Adjustable by rotating of the profile.
- Well suited for mounting in shelves.
- Light emission on to the surface or wall.
- Up to 4 meters length in one piece.

(For deliveries beyond 2000 mm: Please ask for delivery costs separately).

Article data	
Article no.	73760260
GTIN	4251433945093
Series name	P90-16
Short description	Surface-mounted round profile
Material	Aluminium
Length	100 mm
Width	20 mm
Hight	17 mm
Weight	0.023 kg

P90-16 Surface-mounted round profile

Article no. 73760260

Light.
For Generations.

Packing data	
Gross weight	0.044 kg
Length of packaging	2,020 mm
Packaging width	80 mm
Packaging height	40 mm
Note	Please note that the materials aluminium and PMMA or PC can expand differently with changes in temperature! At a temperature change of 10°C, the coefficient of expansion is approx. aluminium is approx. 0.7mm per metre, for plastic approx. 1.5mm per metre. This is not a defect in the product, this is a normal physical process.
Disposal at end of life	This product must not be disposed of with household waste. You are obliged, to dispose of such electrical waste separately. By disposing of electrical waste and other old or defective electronics separately, you support recycling or other forms of re-use. In that way you help to take care and to avoid that harmful substances get into the environment.