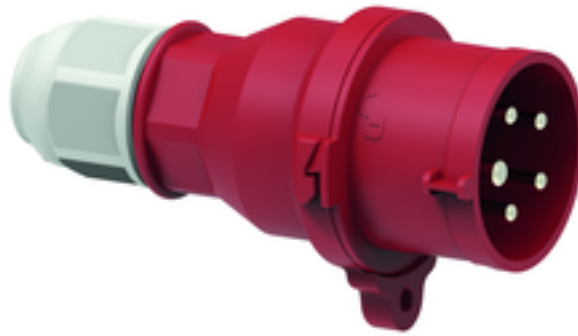


## plug - with screwless terminals, lockable



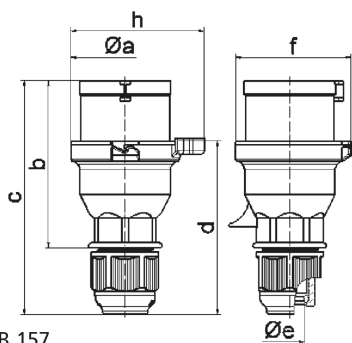
Product description	
BALS-Prd.-Nr	210951
EAN	4024941197434
Product category	QUICK-CONNECT plug
Current	32A
Number of poles	5p
Arrangement of phases	3p+N+PE
Position of earth contact	6 h
Voltage	200/346 - 240/415V~
Frequency	50/60Hz

Product description	
Protection degree	IP44
Colour code	red RAL 3000
Colour of appliance	Collar red RAL 3000, Housing cover red RAL 3000, Cable gland grey RAL 7035
Connection design	screwless spring-clamp technology
Maximum conductor size	6,0 qmm
Cable entry	with cable gland
Height	178mm
Width	92mm
Depth	88mm
Material of enclosure	Polyamide
Contacts	The contact carrier is made of polyamide, the contacts are brass nickel plated

Additional technical properties	
	The plug is lockable with the connector art.-no. 310635 and padlock art.no. 580642, Screwless housing connection with snap fastening, Multi-Grip cable gland with gasket and integrated strain relief, For cable diameter from 11 up to max. 23,5 mm

Logistics data	
Weight/pcs	0.305 kg / Piece
Packaging	Bag
Content amount	1 ST
EAN	4024941197434

Logistics data	
Length	90 mm
Width	92 mm
Height	178 mm
Weight	0.306 kg
Volume	1,473.84 ccm
Packaging	Carton
Content amount	10 ST
EAN	4024941832496
Length	295 mm
Width	185 mm
Height	215 mm
Weight	3.214 kg
Volume	9,975 ccm



2 MB 157

Ampere	16	32					
Polzahl	5	5					
a	66,0	74,5					
b	103,0	121,5					
c	142,0	174,5					
d	105,5	128,5					
e ø	18,0	23,0					
f	70,5	80,0					
h	82,0	90,0					
Leiter mm <sup>2</sup> min	1	2,5					
Leiter mm <sup>2</sup> max	2,5	6					