

plug - with screw terminals one piece housing



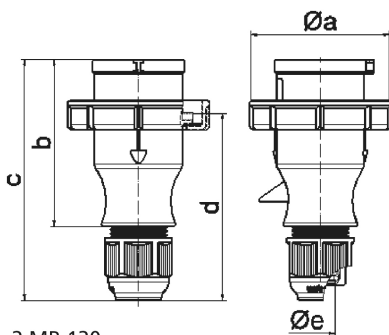
Product description	
BALS-Prd.-Nr	210601
EAN	4024941097017
Product category	TLS plug with Multi-Grip cable gland
Current	32A
Number of poles	4p
Arrangement of phases	3P+PE
Position of earth contact	6 h
Voltage	380 - 415V~
Frequency	50/60Hz

Product description	
Protection degree	IP67
Colour code	red RAL 3000
Colour of appliance	Cable gland grey RAL 7035, Enclosure red RAL 3000, Bayonet ring grey RAL 7035
Connection design	with screw terminal
Maximum conductor size	6,0 qmm
Cable entry	with cable gland
Height	170mm
Width	94mm
Depth	94mm
Material of enclosure	Polyamide
Contacts	the contacts are brass nickel plated, The contact carrier is made of polyamide

Additional technical properties	
	one piece housing, For cable diameter from 11 up to max. 23,5 mm, Multi-Grip cable gland with gasket and integrated strain relief

Logistics data	
Weight/pcs	0.25 kg / Piece
Packaging	Bag
Content amount	1 ST
EAN	4024941097017

Logistics data	
Length	94 mm
Width	94 mm
Height	170 mm
Weight	0.251 kg
Volume	1,502.12 ccm
Packaging	Carton
Content amount	10 ST
EAN	4024941825337
Length	325 mm
Width	217 mm
Height	210 mm
Weight	2.706 kg
Volume	13,588.4 ccm



2 MB 130

Ampere	16	16	16	32	32	32
Polzahl	3	4	5	3	4	5
a ø	70,0	78,0	86,0	94,0	94,0	101,0
b	94,5	98,0	101,0	115,0	115,0	119,0
c	138,0	142,0	145,0	170,0	170,0	174,0
d	105,5	109,5	112,5	128,0	128,0	132,0
e ø	18,0	18,0	18,0	23,0	23,0	23,0
Leiter mm² min	1	1	1	2,5	2,5	2,5
Leiter mm² max	2,5	2,5	2,5	6	6	6