

plug - with screw terminals one piece housing



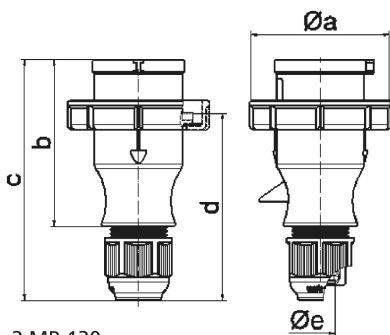
| Product description | |
|---------------------------|--------------------------------------|
| BALS-Prd.-Nr | 210588 |
| EAN | 4024941109888 |
| Product category | TLS plug with Multi-Grip cable gland |
| Current | 16A |
| Number of poles | 5p |
| Arrangement of phases | 3p+N+PE |
| Position of earth contact | 9 h |
| Voltage | 120/208 - 144/250V~ |
| Frequency | 50/60Hz |

| Product description | |
|------------------------|--------------------------------------------------------------------------------|
| Protection degree | IP67 |
| Colour code | blue RAL 5015 |
| Colour of appliance | Cable gland grey RAL 7035, Enclosure blue RAL 5015, Bayonet ring grey RAL 7035 |
| Connection design | with screw terminal |
| Maximum conductor size | 2,5 qmm |
| Cable entry | with cable gland |
| Height | 146mm |
| Width | 86mm |
| Depth | 86mm |
| Material of enclosure | Polyamide |
| Contacts | the contacts are brass nickel plated, The contact carrier is made of polyamide |

| Additional technical properties | |
|---------------------------------|--------------------------------------------------------------------------------------------------------------------------------|
| | one piece housing, Multi-Grip cable gland with gasket and integrated strain relief, For cable diameter from 8 up to max. 18 mm |

| Logistics data | |
|----------------|------------------|
| Weight/pcs | 0.172 kg / Piece |
| Packaging | Bag |
| Content amount | 1 ST |
| EAN | 4024941109888 |

| Logistics data | |
|----------------|---------------|
| Length | 86 mm |
| Width | 86 mm |
| Height | 146 mm |
| Weight | 0.173 kg |
| Volume | 1,079.816 ccm |
| Packaging | Carton |
| Content amount | 10 ST |
| EAN | 4024941832168 |
| Length | 258 mm |
| Width | 183 mm |
| Height | 212 mm |
| Weight | 1.872 kg |
| Volume | 8,750 ccm |



2 MB 130

| Ampere | 16 | 16 | 16 | 32 | 32 | 32 |
|----------------|-------|-------|-------|-------|-------|-------|
| Polzahl | 3 | 4 | 5 | 3 | 4 | 5 |
| a Ø | 70,0 | 78,0 | 86,0 | 94,0 | 94,0 | 101,0 |
| b | 94,5 | 98,0 | 101,0 | 115,0 | 115,0 | 119,0 |
| c | 138,0 | 142,0 | 145,0 | 170,0 | 170,0 | 174,0 |
| d | 105,5 | 109,5 | 112,5 | 128,0 | 128,0 | 132,0 |
| e Ø | 18,0 | 18,0 | 18,0 | 23,0 | 23,0 | 23,0 |
| Leiter mm² min | 1 | 1 | 1 | 2,5 | 2,5 | 2,5 |
| Leiter mm² max | 2,5 | 2,5 | 2,5 | 6 | 6 | 6 |
| | | | | | | |
| | | | | | | |
| | | | | | | |
| | | | | | | |