

8570/11-406-S001 Art. No. 218960



- Optional: Pluggable, easily retrofittable Ex e or Ex i auxiliary contacts for control and signalling purposes
- Motor switching capacity AC-3 as per IEC/EN 60947-3
- Variants for use in the USA/Canada available on request
- Wide temperature range for use
- High mechanical impact and shock resistance
- Perfect protection against the ingress of liquids and dust
- 3D data available to download from the website

WebCode **8570A**



R. STAHL Series 8570/11 SolConeX sockets for Zone 1/21 in a 3-, 4- and 5-pole version have full AC-3 switching capacity up to 16 A. The high degree of protection IP66 guarantees the highest level of protection against the penetration of dust and water in any application position. Self-cleaning lamellar contacts provide optimum contact and the plugs can be inserted and removed in the zero position quickly and easily. The load disconnect switch, with mechanical locking device and a handle that can be locked in the 0 or I position, is an additional safety feature.

Technical Data

Explosion Protection

Scope of validity	European Union (ATEX) IECEX
Application range (zones)	1 2 21 22
IECEX gas certificate	IECEX PTB 05.0023
IECEX gas explosion protection	Ex db eb IIC T6 Gb
IECEX dust certificate	IECEX PTB 05.0023
IECEX dust explosion protection	Ex tb IIIC T80 °C Db
ATEX gas certificate	PTB 03 ATEX 1227
ATEX gas explosion protection	⊕ II 2 G Ex db eb IIC T6 Gb
ATEX dust certificate	PTB 03 ATEX 1227
ATEX dust explosion protection	⊕ II 2 D Ex tb IIIC T80 °C Db
Certificates	ATEX (PTB), EAC (CCVE), IECEX (PTB), India (PESO), Korea (KGS), Taiwan (ITRI)
Explosion protection note	Product label may vary. Series devices have certification according to ATEX and IECEX.

Electrical Data

Rated operational voltage	380 ... 415 V AC
Rated operational current	max. 16 A
Rated operational current note	Optional up to 20 A
Electrical service life	> 5x10 ³ switching cycles
Mechanical service life	> 5x10 ³ switching cycles
Type of voltage	Low voltage
Switching capacity main contacts	4 kW: 220 / 230 / 240 V 7.5 kW: 380 / 400 / 415 / 500 V 11 kW: 600 / 690 V

8570/11-406-S001 Art. No. 218960

Electrical Data

Auxiliary contacts	1 (1 NO)
Frequency range	50 / 60 Hz

Device Specific Data

Back-up fuse with thermal protection	35 A gG
Back-up fuse w/o thermal protection	16 A gG

Ambient Conditions

Ambient temperature	-30 °C ... +55 °C (T6, 16 A)
---------------------	------------------------------

Mechanical Data

Enclosure material	Polyamide, Glass fibre reinforced
Silicone-free	Yes
Solid connection terminals	1 x 1.5 mm ² ... 2 x 6 mm ²
Finely stranded connection terminals	1 x 1.5 mm ² ... 2 x 4 mm ²
Connection terminals USA min.	16 AWG
Max. USA connection terminals	10 AWG
Type of connection cable	Finely stranded Solid
Width	115 mm
Height	180 mm
Length	248 mm
Impact strength (IEC 60079)	7 J
Impact strength (IEC 62262)	IK10
Colour code	Red
Coding (clock hour position)	6
Lockable in	in 0- and I-position
Series	SolConeX
Detailed number of poles	3 P + PE
Weight	1.35 kg
Weight	2.98 lb

Components

Cable entry note	Entry 1: Lower left Entry 2: Lower right
Entry 1 type	8161/7-M25-1707
Entry 1 type	Polyamide cable gland
Entry 1	M25 x 1.5
Entry 1 clamping range	7 ... 17 mm
Metal entry possible 1	No
Entry 2 type	8161/7-M25-1707 with plug
Entry 2 type	Polyamide cable gland
Entry 2	M25 x 1,5
Entry 2 clamping range	7 – 17 mm
Metal entry possible 2	No

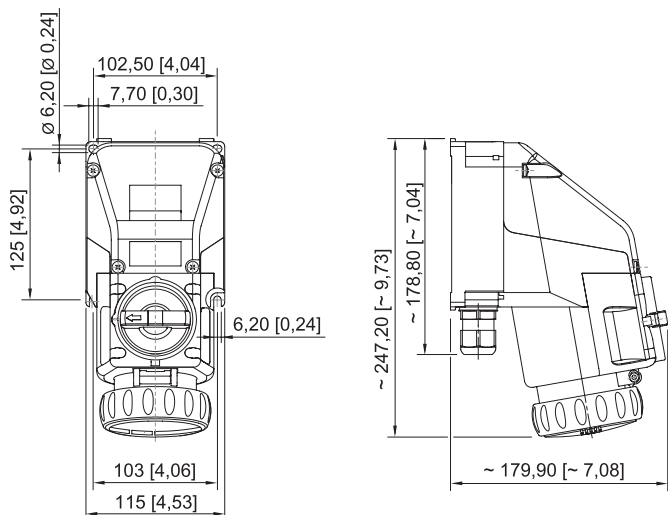
8570/11-406-S001 Art. No. 218960

Technical Drawings – Subject to Alterations



Marking of connections
Front view of socket 3 P + PE

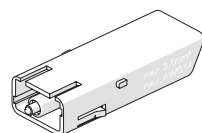
Dimensional Drawings (All Dimensions in mm [inches]) – Subject to Alterations



Wall-mounting socket 4-pole / 5-pole

Accessories

Auxiliary contact



	Art. No.
1 NC max. 500 V AC, max. 110 V DC max. 6 A 2 x 0.5 ... 2.5 mm ² solid / finely stranded	150680
1 NC, gold contact max. 500 V AC, max. 110 V DC max. 6 A 2 x 0.5 ... 2.5 mm ² solid / finely stranded	150684
1 NO max. 500 V AC, max. 110 V DC max. 6 A 2 x 0.5 ... 2.5 mm ² solid / finely stranded	150682
1 NO, gold contact max. 500 V AC, max. 110 V DC max. 6 A 2 x 0.5 ... 2.5 mm ² solid / finely stranded	150686

We reserve the right to make alterations to the technical data, dimensions, weights, designs and products available without notice. The illustrations cannot be considered binding.