

8572/13-306 Art. No. 242334



- Small dimensions
- Wide temperature range for use
- High mechanical impact and shock resistance
- Perfect protection against the ingress of liquids and dust
- 3D data available to download from the website

WebCode **8572A**



The sockets in the new R. STAHL Series 8572/13 are 16 A compact sockets for voltages up to 277 V.

Self-cleaning lamellar contacts provide optimum contact. Compact dimensions and a deep-drawn enclosure are required for fast electrical installation. The integrated locking mechanism prevents disconnection under load.

Technical Data

Explosion Protection

Scope of validity	European Union (ATEX) IECEX
Application range (zones)	1 2 21 22
IECEX gas certificate	IECEX PTB 16.0027
IECEX gas explosion protection	Ex db eb IIC T6 Gb
IECEX dust certificate	IECEX PTB 16.0027
IECEX dust explosion protection	Ex tb IIIC T75 °C Db
ATEX gas certificate	PTB 16 ATEX 1015
ATEX gas explosion protection	⊕ II 2 G Ex db eb IIC T6 Gb
ATEX dust certificate	PTB 16 ATEX 1015
ATEX dust explosion protection	⊕ II 2 D Ex tb IIIC T75 °C Db
Certificates	ATEX (PTB), China (CQST), EAC (CCVE), IECEX (PTB)
Notes	CCC certificate available from 2021 onward
Explosion protection note	Product label may vary. Series devices have certification according to ATEX and IECEX.

Electrical Data

Rated operational voltage AC	200 ... 250 V AC
Rated operational current	max. 16 A
Rated operational current	10 A / 16 A
Type of voltage	Low voltage
Frequency range	50 / 60 Hz

Ambient Conditions

Ambient temperature	-50 °C ... +45 °C (16 A) -50 °C ... +65 °C (10 A)
---------------------	--

8572/13-306 Art. No. 242334

Mechanical Data

Degree of protection (IP)	IP66
Degree of protection note	according to IEC/EN 60529
Enclosure material	Polyamide, Glass fibre reinforced
Silicone-free	No
Silicone-free note	Optional: Silicone-free variant available on request (ambient temperature -40 °C to +65 °C)
Solid connection terminals	1 x 0.75 mm ² ... 2 x 4 mm ²
Connection terminals USA max.	10 AWG
Finely stranded connection terminals	1 x 0.75 mm ² ... 2 x 4 mm ²
Connection terminals USA min.	18 AWG
Type of connection cable	Finely stranded Solid
Width	106 mm
Height	138 mm
Length	180 mm
Colour code	Blue
Coding (clock hour position)	6
Series	SolConeX
Detailed number of poles	2 P + PE
Weight	0.38 kg
Weight	0.84 lb

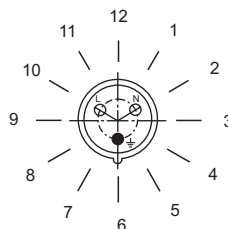
Components

Cable entry note	Entry 1: Lower left Entry 2: Lower right
Entry 1	8161/7-M25-1707
Entry 1	M25
Entry 1 clamping range	7 ... 17 mm
Metal entry possible 1	No
Entry 2	8290/3-M25
Entry 2	M25
Metal entry possible 2	No

Technical Drawings – Subject to Alterations



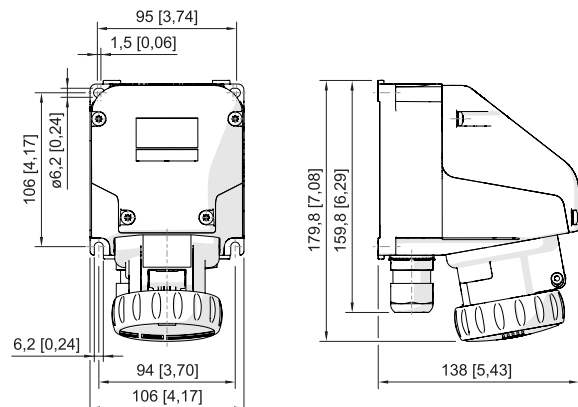
Marking of connections
Front view of socket 2 P + PE



Example:
Clock hour position, front view of socket

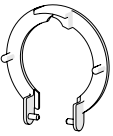
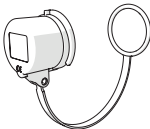
8572/13-306 Art. No. 242334

Dimensional Drawings (All Dimensions in mm [inches]) – Subject to Alterations



Wall-mounting socket, compact 3-pole

Accessories and Spare Parts

Dust cover for wall mounting sockets 16 A Series 8570/11		Art. No.
	retrofitable dust protection for 2-/3-pole sockets	253118
Protective cap for plugs 16 A		Art. No.
	3 pole	150496

We reserve the right to make alterations to the technical data, dimensions, weights, designs and products available without notice. The illustrations cannot be considered binding.