

1 2 3 4 5 6

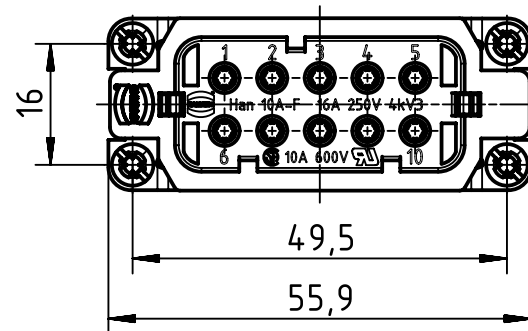
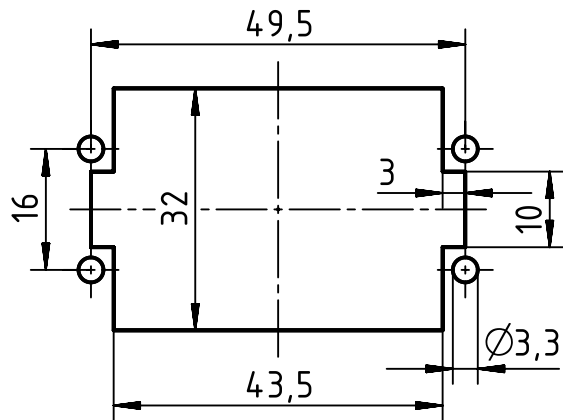
A

B

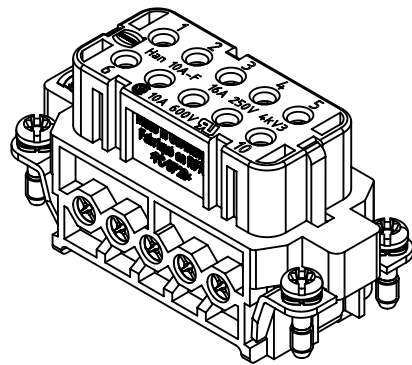
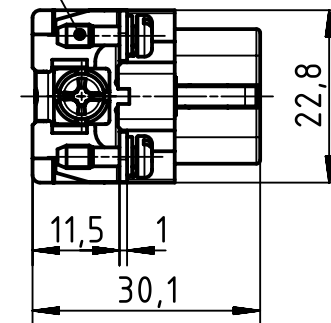
C


D

panel cut out



M3x10



	All rights reserved Department EL PD	All Dimensions in mm Original Size DIN A4		Scale 1:1	Free size tol.	Ref.
		HARTING Electric GmbH & Co. KG D-32339 Espelkamp	Created by SPRENB	Inspected by BERGHORN	Standardisation RUETERA	Date 2018-12-20
		Title Han 10A-BU-S			Doc-Key / ECM-Nr. 100087383/UGD/005/C 500000144812	
		Type TB	Number 09 20 010 2812		Rev. C	Page 1/1