

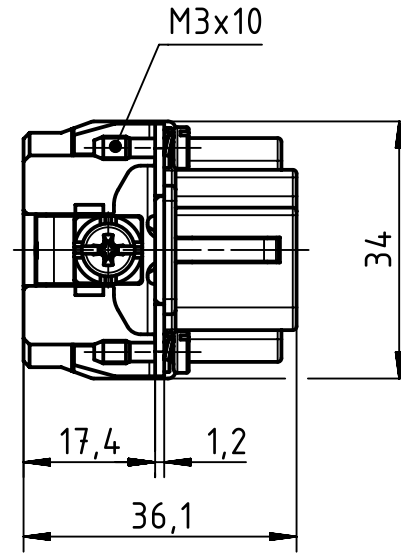
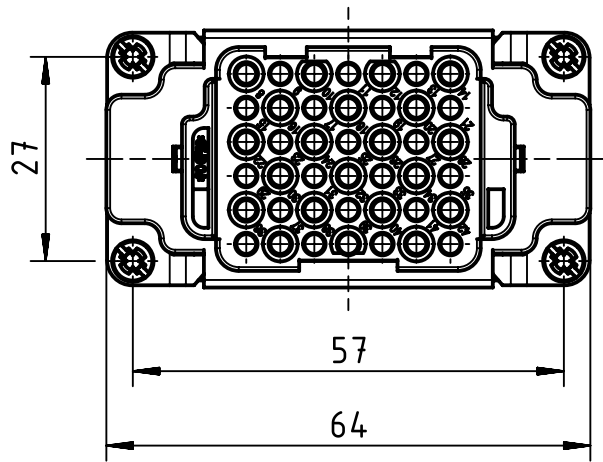
1 2 3 4 5 6

A

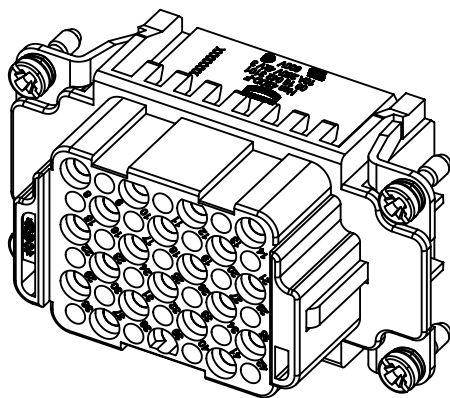
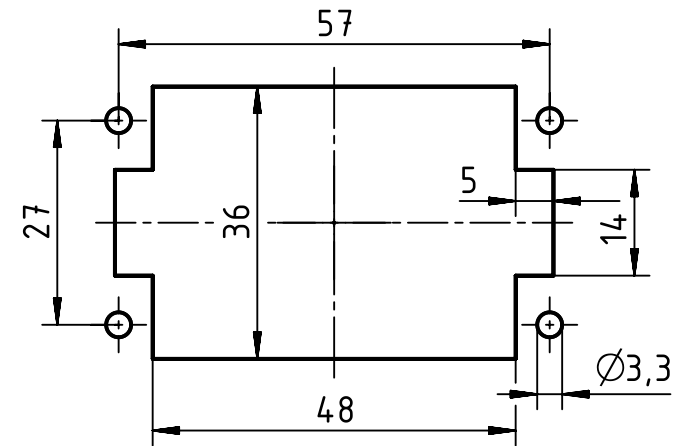
B

C

D



panel cut out



	All rights reserved Department EL PD HARTING Electric GmbH & Co. KG D-32339 Espelkamp	All Dimensions in mm Original Size DIN A4		Scale 1:1	Free size tol.	Ref. Sub.
		Created by LUPU	Inspected by PRIESTER	Standardisation RUETERA	Date 2018-12-06	State Final Release
			Title Han 42DD-BU-C	Type TB		Number 09 16 042 3101
					Rev. C	Page 1/1