

1 2 3 4 5 6

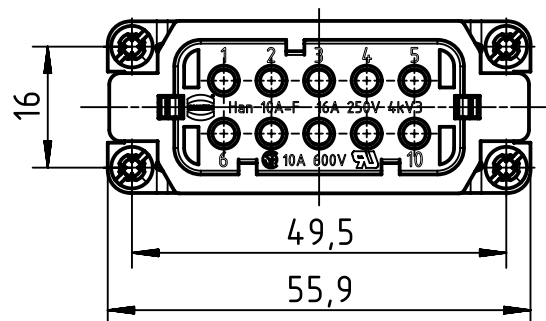
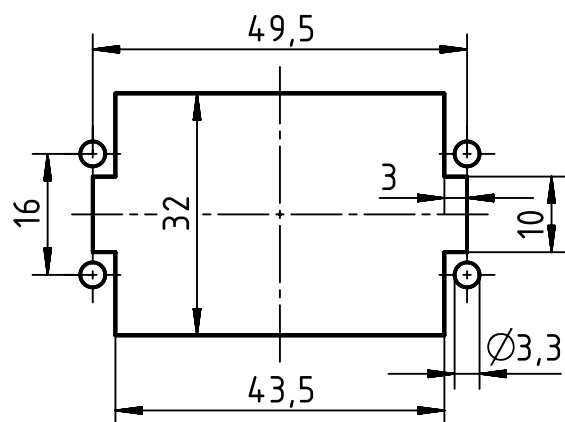
A

B

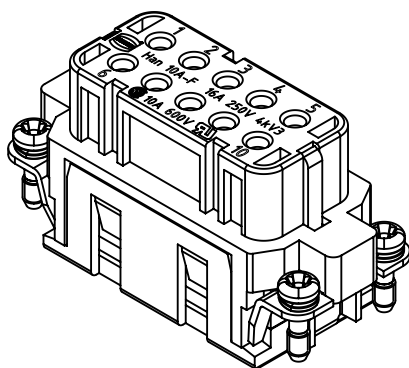
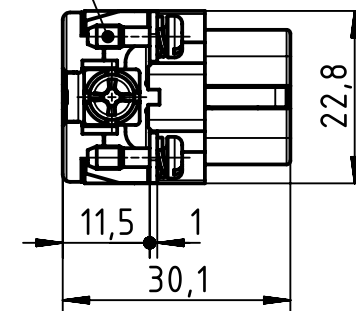
C


D

panel cut out



M3x10



	All rights reserved Department EL PD	All Dimensions in mm Original Size DIN A4		Scale 1:1	Free size tol.		Ref.	
		HARTING Electric GmbH & Co. KG D-32339 Espelkamp		Created by SPRENB	Inspected by BERGHORN	Standardisation RUETERA	Date 2018-12-20	State Final Release
Title Han 10A-BU-C				Type TB		Number 09 20 010 3101		Doc-Key / ECM-Nr. 100087316/UGD/007/C 500000144812
							Rev. C	Page 1/1