

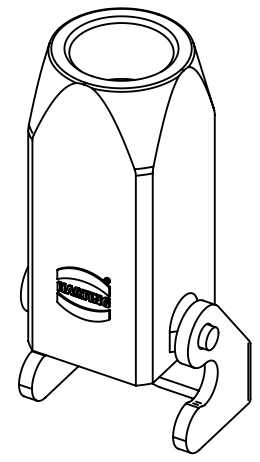
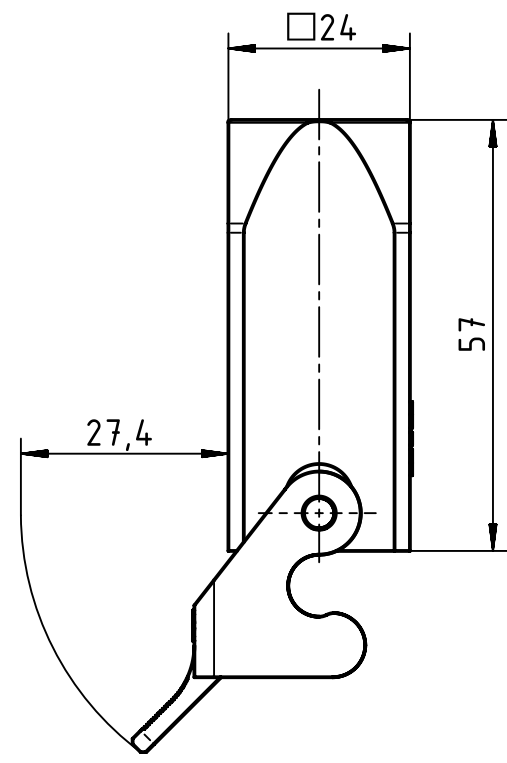
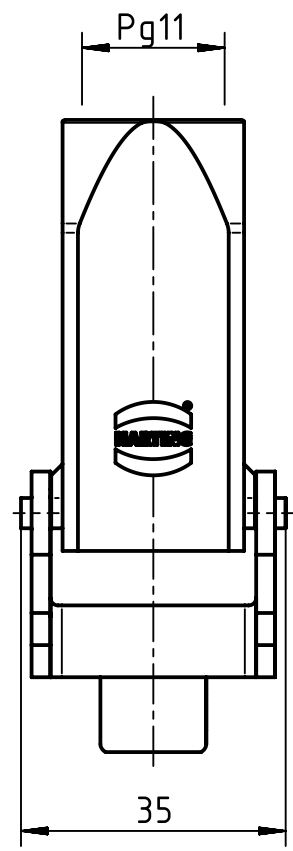
1 2 3 4 5 6

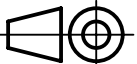

A

B

C

D



 All Dimensions in mm Original Size DIN A4	Scale	Free size tol.			Ref.
	1:1				Sub.
 All rights reserved Department EL PD - DE	Created by	Inspected by	Standardisation	Date	State
	SERBANA	PRIESTER	TIEMANNA	2018-02-05	Final Release
HARTING Electric GmbH & Co. KG D-32339 Espelkamp	Title				Doc-Key / ECM-Nr.
	Han 3A-HCC/P-DL-1Pg11-grey				100197911/UGD/004/A 500000129280
Type	Number	Rev.			Page
TB	09 20 003 0720	A			1/1