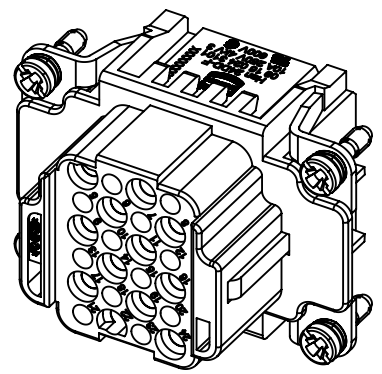
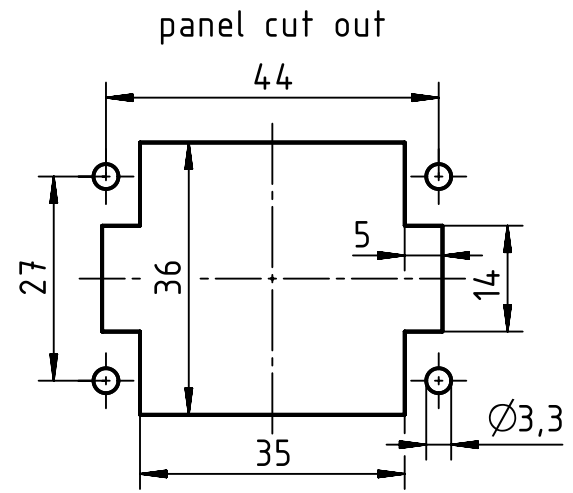
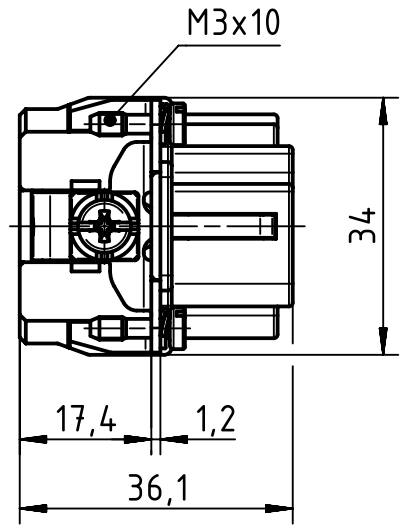
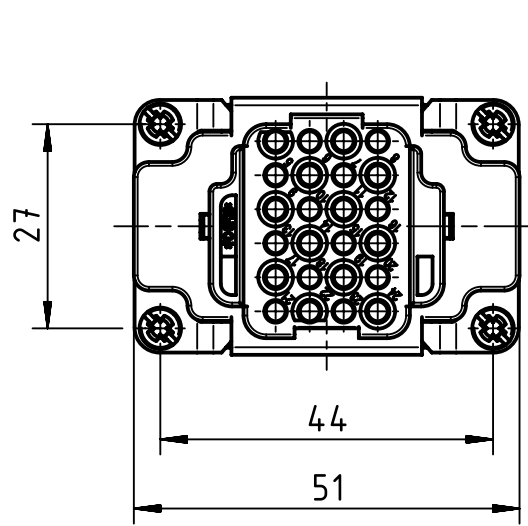


A

B

C

D



	All Dimensions in mm Original Size DIN A4		Scale 1:1	Free size tol.		Ref.		
						Sub.		
	All rights reserved		Created by LUPU	Inspected by PRIESTER	Standardisation RUETERA	Date 2019-01-16	State Final Release	
	Department EL PD		Title Han 24DD-F-C				Doc-Key / ECM-Nr. 100216913/UGD/005/D 500000118542	
HARTING Electric GmbH & Co. KG D-32339 Espelkamp			Type TB	Number 09 16 024 3101			Rev. D	Page 1/1