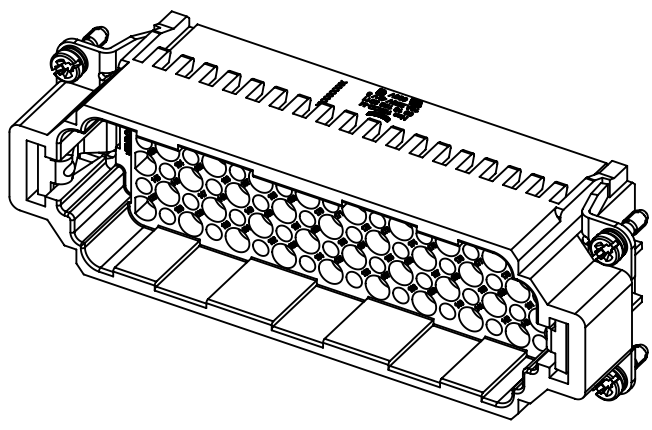
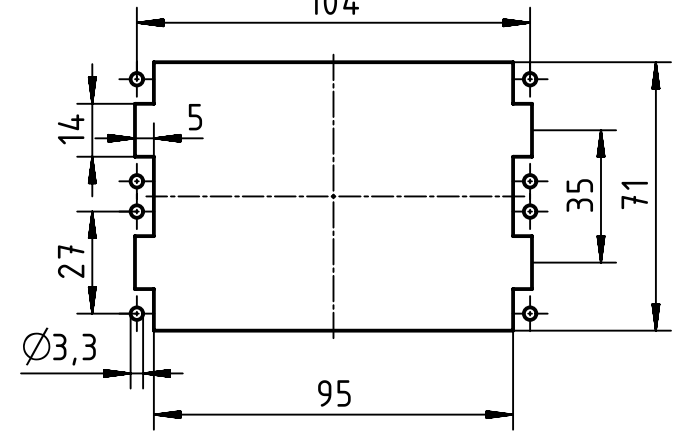


1:2
panel cut out
104



	All rights reserved		Created by LUPU		Inspected by PRIESTER		Standardisation RUETERA		Date 2018-12-07		State Final Release	
	Department EL PD		Title Han 108 DD-STI-C (109-216)		Number 09 16 108 3011		Doc-Key / ECM-Nr. 100216576/UGD/003/C 500000119028		Rev. C		Page 1/1	
HARTING Electric GmbH & Co. KG D-32339 Espelkamp			All Dimensions in mm Original Size DIN A4		Scale 1:1		Free size tol.		Ref. Sub.			