

1 2 3 4 5 6

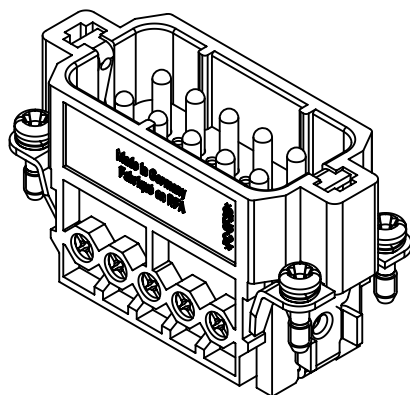
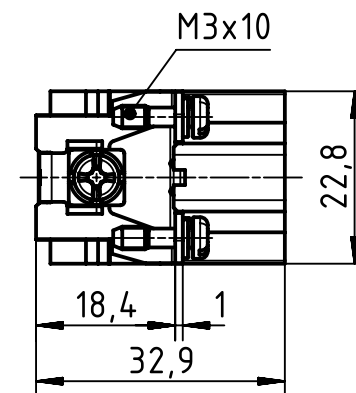
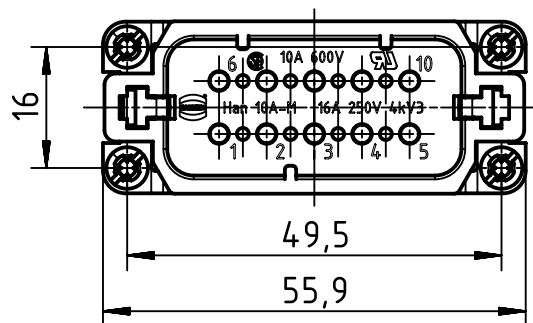
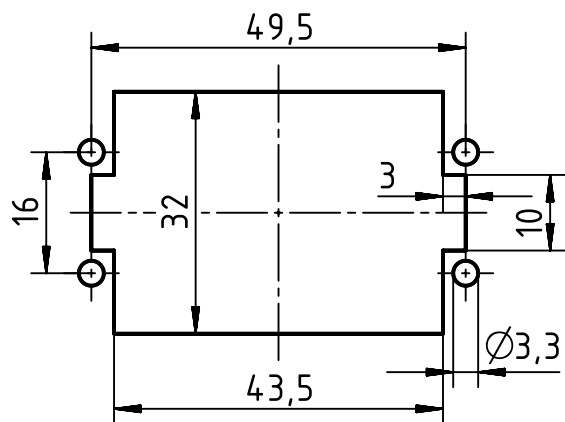
A


B

C

D

panel cut out



| | | | | | | | |
|---|--|--|------------------------|--------------------------|----------------------------|--|------------------------|
|  | All Dimensions in mm Original Size DIN A4 | | Scale 1:1 | Free size tol. | | Ref. | |
| | All rights reserved Department EL PD | | Created by SPRENB | Inspected by BERGHORN | Standardisation RUETERA | Date 2018-12-20 | State Final Release |
| HARTING Electric GmbH & Co. KG D-32339 Espelkamp | | | Title Han 10A-STI-S | | | Doc-Key / ECM-Nr. 100087389/UGD/005/C 500000144812 | |
| | | | Type TB | Number 09 20 010 2612 | | Rev. C | Page 1/1 |