

Installation Equipment

Rotary actuator, small Not padlockable



8602C3-726-B-M03-03-E03 Art. No. 244648



- Pushbutton, mushroom pushbutton, mushroom stay-put button with key lock, mushroom stay-put button, twin pushbutton and illuminated pushbutton, rotary actuator, key-operated switch, potentiometer bezel and indicator lamp bezel
- One axial actuator can actuate up to four 8082 series contact elements
- Key-operated switches and rotary switches codable at any time as "latching/spring return" or "key not removable"

WebCode **8602A**



Thanks to their special technical features, the actuators from the 8602/3 series can withstand the most extreme conditions. In addition to the application option for use in ambient temperatures from -60 °C to +70 °C, the IP degree of protection, IP66, is maintained in accordance with EN 60529. It is also possible to actuate up to four contact elements from the 8082 series with a single axial actuator from the 8602/3 series.

The coding option of the key switches and rotary switches is innovative and one-of-a-kind. Integrated coding allows you to adjust the "latching/spring return" and/or "key not removable" functions at any time without additional accessories. A versatile set of accessories consisting of label holders and locking devices is available.

Technical Data

Explosion Protection

Application range (zones)	1 2 21 22
IECEX gas certificate	IECEX PTB 13.0047U
IECEX gas explosion protection	Ex eb IIC Gb
IECEX dust certificate	IECEX PTB 13.0047 U
IECEX dust explosion protection	Ex tb IIIC Db
ATEX gas certificate	PTB 13 ATEX 1019 U
ATEX gas explosion protection	Ex II 2 G Ex eb IIC Gb
ATEX dust certificate	PTB 13 ATEX 1019 U
ATEX dust explosion protection	Ex II 2 D Ex tb IIIC Db
UL gas certificate	E182378 V4 S2
Certificates	ATEX (PTB), Brazil (ULB), Canada / USA (UL), EAC (CCVE), IECEX (PTB), India (PESO), Korea (KGS)

Ambient Conditions

Ambient temperature	-20 °C ... +60 °C
Ambient temperature	-4 °F ... +140 °F
Storage temperature	-25 °C ... +60 °C
Storage temperature	-13 °F ... +140 °F
Use at the height of	< 2000 m
Degree of contamination	3

8602C3-726-B-M03-03-E03 Art. No. 244648

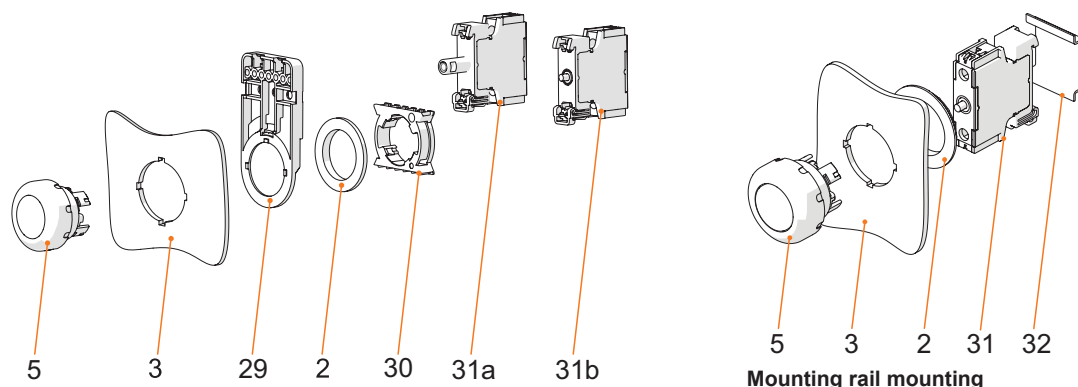
Mechanical Data

Version	not lockable
Degree of protection (IP)	IP66
Note on degree of protection	acc. to IEC/EN 60529
Enclosure material	Polyamide
Silicone-free	Yes
Number of switching positions	3
Assembly	726
Diameter	39 mm
Service life, min.	10 ⁹ actuations
Impact strength (IEC 60079)	7 J
Impact strength (IEC 62262)	min. IK08
Colour	Black
Mounting	Thread type
Designation plate	I - 0 - II
Seal	Standard
Lockable in	Not padlockable
Packaging unit	1
Weight	0.04 kg
Weight	0.09 lb
Description note	With the installed coding elements, conversion to the "spring return" function is possible. Standard label enclosed separately. Different labels must be ordered separately. Pressure plates for 1-2 and 3-4 contact elements enclosed.

Mounting / Installation

Tightening torque	3 Nm
Tightening torque lbf in	26.55 lbf in

Technical Drawings – Subject to Alterations



Front installation mounting with indication lamp series 8010/6 and contact element series 8082/3

Legend

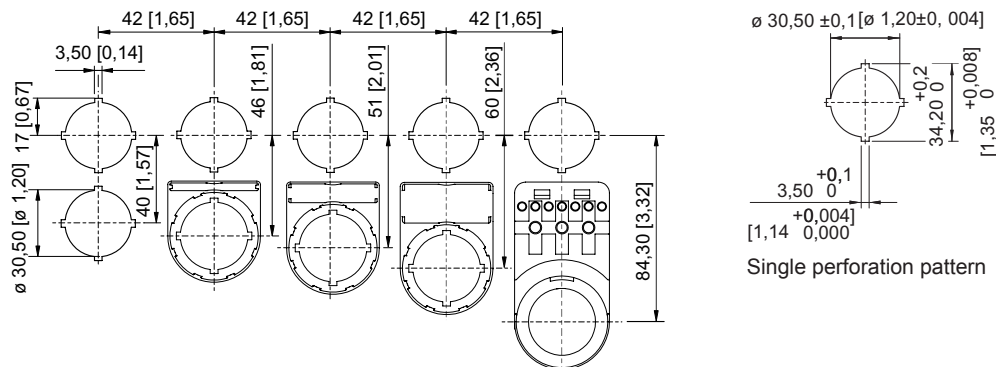
- 2 = Jam nut (order no. 205592)
- 3 = Installation wall (wall thickness max. 5 mm [0.197 in])
- 5 = Actuator with seal
- 29 = Cable duct carrier (optional) (order no. 248673)
- 30 = Adaptor (order no. 227038)
- 31a = Built-in element: LED element 8010/6
- 31b = Built-in element: Contact element 8082/3

Legend

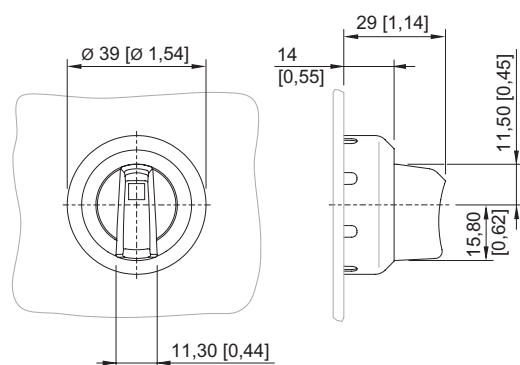
- 2 = Jam nut (order no. 205592)
- 3 = Installation wall (wall thickness max. 5 mm [0.197 in])
- 5 = Actuator with seal
- 31 = Built-in element
- 32 = Mounting rail TS35

8602C3-726-B-M03-03-E03 Art. No. 244648

Dimensional Drawings (All Dimensions in mm [inches]) – Subject to Alterations



Standard cut-out with / without front label



8602/3-726 Axial rotary actuator, not lockable
Actuator with axial actuation

Accessories and Spare Parts





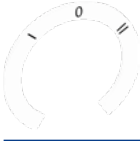



Label holder		Art. No.
	Size 1, without insert disc, 1-line label for actuators $\varnothing 39$	223566
	Size 2, without insert disc, 1- or 2-line label for actuators $\varnothing 39$	223567
	Size 3, without insert disc, 1-, 2- or 3-line label for actuators $\varnothing 39$	223568

Installation Equipment

Rotary actuator, small Not padlockable



8602C3-726-B-M03-03-E03 Art. No. 244648






Insert discs for label holder		Art. No.
	1-line Plain Material: PVC Colour: White Self-adhesive	238271
	2-line Plain Material: PVC Colour: White Self-adhesive	238272
	3-line Plain Material: PVC Colour: White Self-adhesive	238273
Labels for small BG 732, BG 734 rotary actuator and BG 726, BG 727 axial rotary actuator		Art. No.
	Ø 30.8 plain	227495
Labels for axial BG 726, BG 727 rotary actuator		Art. No.
	Ø 30.8 I 0 II	240474
	Ø 30.8 HAND 0 AUTO	240477
Closing part		Art. No.
	8602C3-733-B for closing unused holes in cover, Ø 30.5 mm, NBR	244306
	8602C3-733-S for closing unused holes in cover, Ø 30.5 mm, silicone	244307
Special key		Art. No.
	for tightening plastic locking nut	169101

Installation Equipment

Rotary actuator, small Not padlockable



8602C3-726-B-M03-03-E03 Art. No. 244648

		Art. No.
	for key-operated switch and axial rotary actuator 1 to 2 contact elements	253627
	for key-operated switch and axial rotary actuator 3 to 4 contact elements	221707
Holder for front installation		Art. No.
	8602/3 cable duct	248673
Adaptor for front installation		Art. No.
	8602/3 Front installation for indicator lamp series 8010/6 and contact element series 8082/3	227038
8082/3 Contact element		Art. No.
	for NC contact front installation	240898
	for NO contact front installation	240899

We reserve the right to make alterations to the technical data, dimensions, weights, designs and products available without notice. The illustrations cannot be considered binding.