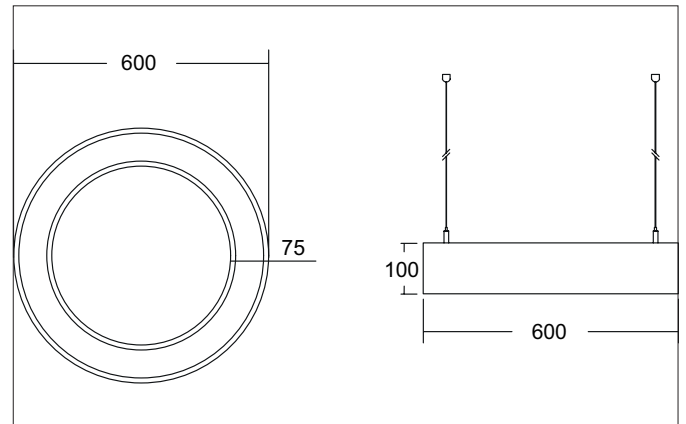


**BIRO CIRCLE LED pendant ring light, direct, dimmable**

Article no. 13530178CA

Light.  
For Generations.**Tender**

LED pendant ring light, direct, dimmable, Round. Luminaire diameter 600.0 mm, Height 100.0 mm, for pendulum mounting. Pendulum length max. 5000.0 mm Weight 4.5 kg, with rotationssymmetrical, deep, wide distributed light intensity. optimal light distribution due to a plastic, opal cover. Luminous flux 5.348 lm, Power 1 x 40 W, Light colour warm white to daylight white, Correlated color temperature (CCT) 2.700 - 6.500 K, Colour rendering index CRI > 80, Rated life time L70/B50 at 25 °C: 276.000 h, Rated life time L80/B20 at 25 °C: 153.000 h, Housing material: Aluminium / Steel / Plastic, Colour: White structure, Permissible ambient temperature (ta): -20 °C - +25 °C, Protection class (EN 61140): I, Degree of protection (DIN EN 60529): IP20, .With electronic driver, Tunable White-Casambi dimmable.

| Article data      |   |
|-------------------|---|
| Article no.       | 13530178CA  |
| GTIN              | 4251433961079   |
| Series name       | BIRO CIRCLE   |
| Short description | LED pendant ring light, direct, dimmable              |
| Material          | Aluminium / Steel / Plastic                           |
| Colour            | White   |
| Type of surface   | Structure   |
| Shape             | Round   |
| Outer diameter    | 600 mm  |
| Height            | 100 mm  |
| Scope of delivery | incl. converter for connection to 230 V mains voltage |
| Weight            | 4.500 kg  |

**BIRO CIRCLE LED pendant ring light, direct, dimmable**

Article no. 13530178CA

Light.  
For Generations.

| Lighting technology          |                   |
|------------------------------|-------------------|
| Colour temperature           | 2.700 K - 6.500 K |
| Light colour                 | White             |
| Light output                 | Direct            |
| Luminous flux                | 5,348 lm          |
| System efficiency            | 134 lm/W          |
| McAdam-Step                  | McAdam-Step 3     |
| Colour rendering             | CRI > 80          |
| Reflector                    | Without           |
| Beam angle                   | 110°              |
| Light sharing                | Symmetric         |
| Adjustable color temperature | No                |

| Operating technology of the luminaire |  |
|---------------------------------------|--|
| System output                         | 40 W   |
| Voltage type                          | AC   |
| AC nominal voltage max                | 230 V  |
| Frequenz max.                         | 50 Hz  |
| Lamp                                  | LED  |
| Lamp holder                           | Without fitting  |
| Protection class                      | I  |
| Degree of protection                  | IP20   |
| Control                               | Tunable White-Casambi  |
| Bulb change possible                  | The light source of this luminaire may only be replaced by the manufacturer or a service technician commissioned by him or a similarly qualified person. |
| Rated life time L70/B50 at 25 °C      | 276,000 h  |
| Rated life time L80/B20 at 25 °C      | 153.000 h  |
| Rated life time L90/B10 at 25 °C      | 74.000 h   |

| Mounting technology         |                 |
|-----------------------------|-----------------|
| Mounting method             | Suspended       |
| Place of installation       | Ceiling-mounted |
| Adjustability               | Not adjustable  |
| stamp                       | UKCA            |
| Pendulum length max.        | 5,000 mm        |
| Material cover              | Plastic, opal   |
| Number of cable suspensions | 3               |

| Packing data            |   |
|-------------------------|---|
| Gross weight            | 5.2 kg  |
| Length of packaging     | 630 mm  |
| Packaging width         | 630 mm  |
| Packaging height        | 110 mm  |
| Disposal at end of life | This product must not be disposed of with household waste. You are obliged, to dispose of such electrical waste separately.<br>By disposing of electrical waste and other old or defective electronics separately, you support recycling or other forms of re-use. In that way you help to take care and to avoid that harmful substances get into the environment. |