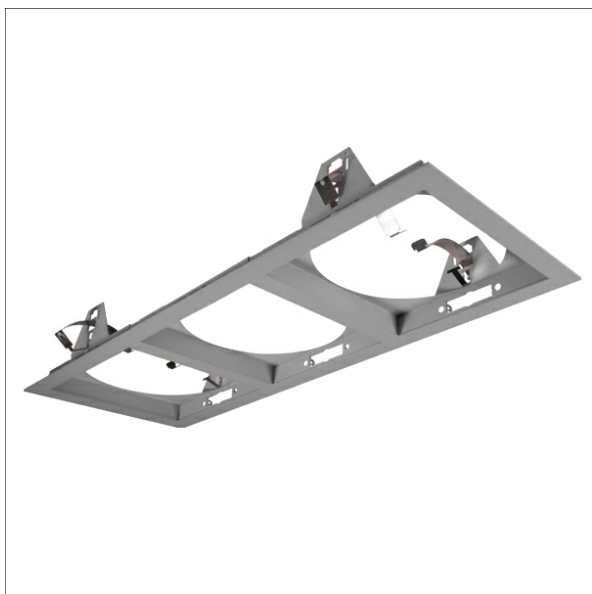


SCER 33.300



Beschreibung

- flexibles Einbaustrahlersystem bestehend aus Einbaurahmen, Lichtköpfen und Betriebsgeräten
- Einbaurahmen 3-flammig (rechteckig) aus Stahlblech
- Lichtköpfe und Betriebsgeräte (falls erforderlich) separat bestellen
- werkzeugloser Deckeneinbau mit Schnellspannfedern (automatische Anpassung der Deckenstärke)

Hinweise

Einbautiefe abhängig vom gewählten Lichtkopf.

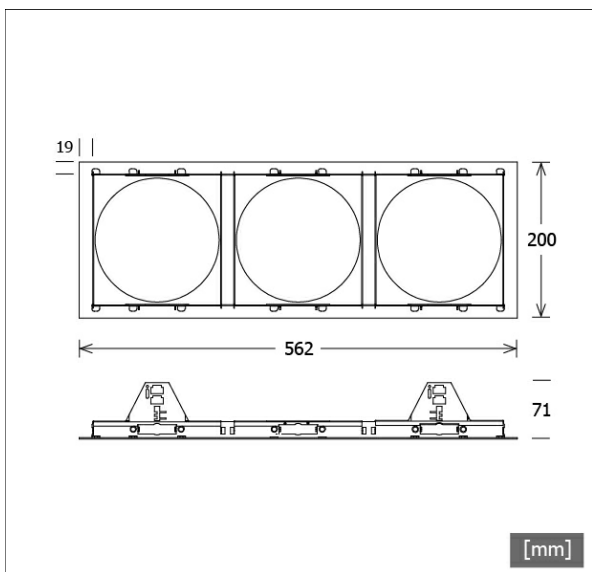
Sonderoptionen



Abmessungen / Gewichte

Länge	562 mm
Breite	200 mm
Höhe	71 mm
Ausschnittsmaß (LxB)	540 x 182 mm
Deckenstärke	5.0 - 30.0 mm
Nettogewicht	1.04 kg
Bruttogewicht	1.40 kg

Farbe	Artikelnummer	EAN
silber	625775	4043544243461
weiß	625776	4043544243478
schwarz	644482	4043544510600



SCER 33.300

Lichteinsätze



Bezeichnung	Beschreibung
SCEKLP 33.2030.15	15°, 3000 K, 27.0 W , 2620 lm
SCEKLP 33.2030.15	15°, 3000 K, 27.0 W , 2620 lm
SCEKLP 33.2030.15/DALI	15°, 3000 K, 27.0 W , 2620 lm
SCEKLP 33.2030.15/DALI	15°, 3000 K, 27.0 W , 2620 lm
SCEKLP 33.2030.25	25°, 3000 K, 27.0 W , 2750 lm
SCEKLP 33.2030.25	25°, 3000 K, 27.0 W , 2750 lm
SCEKLP 33.2030.25/DALI	25°, 3000 K, 27.0 W , 2750 lm
SCEKLP 33.2030.25/DALI	25°, 3000 K, 27.0 W , 2750 lm
SCEKLP 33.2030.35	35°, 3000 K, 27.0 W , 2640 lm
SCEKLP 33.2030.35	35°, 3000 K, 27.0 W , 2640 lm
SCEKLP 33.2030.35/DALI	35°, 3000 K, 27.0 W , 2640 lm
SCEKLP 33.2030.35/DALI	35°, 3000 K, 27.0 W , 2640 lm
SCEKLP 33.2030.55	55°, 3000 K, 27.0 W , 2750 lm
SCEKLP 33.2030.55	55°, 3000 K, 27.0 W , 2750 lm
SCEKLP 33.2030.55/DALI	55°, 3000 K, 27.0 W , 2750 lm
SCEKLP 33.2030.55/DALI	55°, 3000 K, 27.0 W , 2750 lm
SCEKLP 33.2040.15	15°, 4000 K, 27.0 W , 2760 lm
SCEKLP 33.2040.15	15°, 4000 K, 27.0 W , 2760 lm
SCEKLP 33.2040.15/DALI	15°, 4000 K, 27.0 W , 2760 lm
SCEKLP 33.2040.15/DALI	15°, 4000 K, 27.0 W , 2760 lm
SCEKLP 33.2040.25	25°, 4000 K, 27.0 W , 2890 lm
SCEKLP 33.2040.25	25°, 4000 K, 27.0 W , 2890 lm
SCEKLP 33.2040.25/DALI	25°, 4000 K, 27.0 W , 2890 lm
SCEKLP 33.2040.25/DALI	25°, 4000 K, 27.0 W , 2890 lm
SCEKLP 33.2040.35	35°, 4000 K, 27.0 W , 2780 lm
SCEKLP 33.2040.35	35°, 4000 K, 27.0 W , 2780 lm
SCEKLP 33.2040.35/DALI	35°, 4000 K, 27.0 W , 2780 lm
SCEKLP 33.2040.35/DALI	35°, 4000 K, 27.0 W , 2780 lm
SCEKLP 33.2040.55	55°, 4000 K, 27.0 W , 2890 lm
SCEKLP 33.2040.55	55°, 4000 K, 27.0 W , 2890 lm
SCEKLP 33.2040.55/DALI	55°, 4000 K, 27.0 W , 2890 lm
SCEKLP 33.2040.55/DALI	55°, 4000 K, 27.0 W , 2890 lm
SCEKLP 33.3030.15	15°, 3000 K, 36.0 W , 3310 lm
SCEKLP 33.3030.15	15°, 3000 K, 36.0 W , 3310 lm
SCEKLP 33.3030.15/DALI	15°, 3000 K, 36.0 W , 3310 lm
SCEKLP 33.3030.15/DALI	15°, 3000 K, 36.0 W , 3310 lm
SCEKLP 33.3030.25	25°, 3000 K, 36.0 W , 3470 lm
SCEKLP 33.3030.25	25°, 3000 K, 36.0 W , 3470 lm
SCEKLP 33.3030.25/DALI	25°, 3000 K, 36.0 W , 3470 lm
SCEKLP 33.3030.25/DALI	25°, 3000 K, 36.0 W , 3470 lm
SCEKLP 33.3030.35	35°, 3000 K, 36.0 W , 3330 lm
SCEKLP 33.3030.35	35°, 3000 K, 36.0 W , 3330 lm
SCEKLP 33.3030.35/DALI	35°, 3000 K, 36.0 W , 3330 lm
SCEKLP 33.3030.35/DALI	35°, 3000 K, 36.0 W , 3330 lm
SCEKLP 33.3030.55	55°, 3000 K, 36.0 W , 3470 lm
SCEKLP 33.3030.55	55°, 3000 K, 36.0 W , 3470 lm

Bezeichnung	Beschreibung
SCEKLP 33.3030.55/DALI	55°, 3000 K, 36.0 W , 3470 lm
SCEKLP 33.3030.55/DALI	55°, 3000 K, 36.0 W , 3470 lm
SCEKLP 33.3040.15	15°, 4000 K, 36.0 W , 3490 lm
SCEKLP 33.3040.15	15°, 4000 K, 36.0 W , 3490 lm
SCEKLP 33.3040.15/DALI	15°, 4000 K, 36.0 W , 3490 lm
SCEKLP 33.3040.15/DALI	15°, 4000 K, 36.0 W , 3490 lm
SCEKLP 33.3040.25	25°, 4000 K, 36.0 W , 3650 lm
SCEKLP 33.3040.25	25°, 4000 K, 36.0 W , 3650 lm
SCEKLP 33.3040.25/DALI	25°, 4000 K, 36.0 W , 3650 lm
SCEKLP 33.3040.25/DALI	25°, 4000 K, 36.0 W , 3650 lm
SCEKLP 33.3040.35	35°, 4000 K, 36.0 W , 3510 lm
SCEKLP 33.3040.35	35°, 4000 K, 36.0 W , 3510 lm
SCEKLP 33.3040.35/DALI	35°, 4000 K, 36.0 W , 3510 lm
SCEKLP 33.3040.35/DALI	35°, 4000 K, 36.0 W , 3510 lm
SCEKLP 33.3040.55	55°, 4000 K, 36.0 W , 3650 lm
SCEKLP 33.3040.55	55°, 4000 K, 36.0 W , 3650 lm
SCEKLP 33.3040.55/DALI	55°, 4000 K, 36.0 W , 3650 lm
SCEKLP 33.3040.55/DALI	55°, 4000 K, 36.0 W , 3650 lm
SCEKLP 33.20.25/B	25°, 2700 K, 42.0 W , 4200 lm
SCEKLP 33.20.25/B	25°, 2700 K, 42.0 W , 4200 lm
SCEKLP 33.20.35/B	35°, 2700 K, 42.0 W , 4010 lm
SCEKLP 33.20.35/B	35°, 2700 K, 42.0 W , 4010 lm
SCEKLP 33.20.55/B	55°, 2700 K, 42.0 W , 3970 lm
SCEKLP 33.20.55/B	55°, 2700 K, 42.0 W , 3970 lm
SCEKLP 33.20.25/F	25°, 3000 K, 44.0 W , 2260 lm
SCEKLP 33.20.25/F	25°, 3000 K, 44.0 W , 2260 lm
SCEKLP 33.20.35/F	35°, 3000 K, 44.0 W , 2160 lm
SCEKLP 33.20.35/F	35°, 3000 K, 44.0 W , 2160 lm
SCEKLP 33.20.55/F	55°, 3000 K, 44.0 W , 2090 lm
SCEKLP 33.20.55/F	55°, 3000 K, 44.0 W , 2090 lm
SCEKLP 33.5030.15	15°, 3000 K, 52.0 W , 5310 lm
SCEKLP 33.5030.15	15°, 3000 K, 52.0 W , 5310 lm
SCEKLP 33.5030.25	25°, 3000 K, 52.0 W , 5580 lm
SCEKLP 33.5030.25	25°, 3000 K, 52.0 W , 5580 lm
SCEKLP 33.5030.35	35°, 3000 K, 52.0 W , 5350 lm
SCEKLP 33.5030.35	35°, 3000 K, 52.0 W , 5350 lm
SCEKLP 33.5030.55	55°, 3000 K, 52.0 W , 5580 lm
SCEKLP 33.5030.55	55°, 3000 K, 52.0 W , 5580 lm
SCEKLP 33.5040.15	15°, 4000 K, 52.0 W , 5580 lm
SCEKLP 33.5040.15	15°, 4000 K, 52.0 W , 5580 lm
SCEKLP 33.5040.25	25°, 4000 K, 52.0 W , 5850 lm
SCEKLP 33.5040.25	25°, 4000 K, 52.0 W , 5850 lm
SCEKLP 33.5040.35	35°, 4000 K, 52.0 W , 5620 lm
SCEKLP 33.5040.35	35°, 4000 K, 52.0 W , 5620 lm
SCEKLP 33.5040.55	55°, 4000 K, 52.0 W , 5850 lm
SCEKLP 33.5040.55	55°, 4000 K, 52.0 W , 5850 lm