

# SCER 33.111



## Beschreibung

- flexibles Einbaustrahlersystem bestehend aus Einbaurahmen, Lichtkopf und Betriebsgerät
- Einbaurahmen 1-flammig (rund) aus Stahlblech
- Lichtkopf und Betriebsgerät (falls erforderlich) separat bestellen
- werkzeugloser Deckeneinbau mit Schnellspannfedern (automatische Anpassung der Deckenstärke)

## Hinweise

Einbautiefe abhängig vom gewählten Lichtkopf.

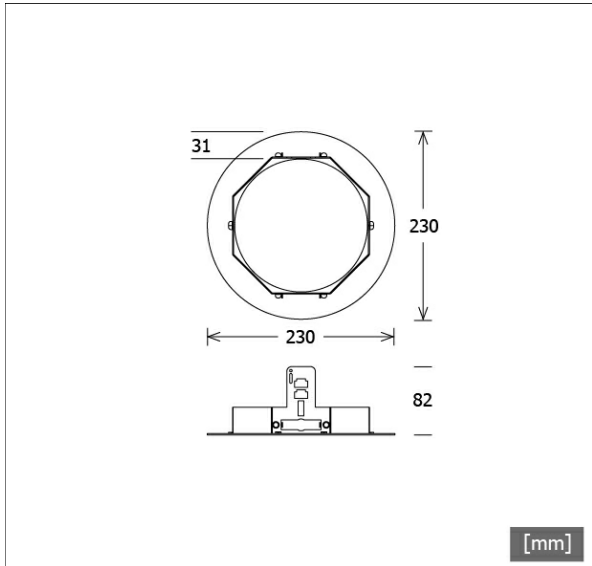
## Sonderoptionen



## Abmessungen / Gewichte

<b>Außendurchmesser</b>	230 mm
<b>Höhe</b>	85 mm
<b>Ausschnittsmaß (∅)</b>	190 mm
<b>Deckenstärke</b>	5.0 - 30.0 mm
<b>Nettogewicht</b>	0.52 kg
<b>Bruttogewicht</b>	0.54 kg

Farbe	Artikelnummer	EAN
schwarz	655245	4043544640130
silber	655246	4043544640147
weiß	655247	4043544640154



# SCER 33.111

## Lichteinsätze



Bezeichnung	Beschreibung	Bezeichnung	Beschreibung
SCEKLP 33.2030.15	15°, 3000 K, 27.0 W , 2620 lm	SCEKLP 33.3030.55/DALI	55°, 3000 K, 36.0 W , 3470 lm
SCEKLP 33.2030.15	15°, 3000 K, 27.0 W , 2620 lm	SCEKLP 33.3030.55/DALI	55°, 3000 K, 36.0 W , 3470 lm
SCEKLP 33.2030.15/DALI	15°, 3000 K, 27.0 W , 2620 lm	SCEKLP 33.3040.15	15°, 4000 K, 36.0 W , 3490 lm
SCEKLP 33.2030.15/DALI	15°, 3000 K, 27.0 W , 2620 lm	SCEKLP 33.3040.15	15°, 4000 K, 36.0 W , 3490 lm
SCEKLP 33.2030.25	25°, 3000 K, 27.0 W , 2750 lm	SCEKLP 33.3040.15/DALI	15°, 4000 K, 36.0 W , 3490 lm
SCEKLP 33.2030.25	25°, 3000 K, 27.0 W , 2750 lm	SCEKLP 33.3040.15/DALI	15°, 4000 K, 36.0 W , 3490 lm
SCEKLP 33.2030.25/DALI	25°, 3000 K, 27.0 W , 2750 lm	SCEKLP 33.3040.25	25°, 4000 K, 36.0 W , 3650 lm
SCEKLP 33.2030.25/DALI	25°, 3000 K, 27.0 W , 2750 lm	SCEKLP 33.3040.25	25°, 4000 K, 36.0 W , 3650 lm
SCEKLP 33.2030.35	35°, 3000 K, 27.0 W , 2640 lm	SCEKLP 33.3040.25/DALI	25°, 4000 K, 36.0 W , 3650 lm
SCEKLP 33.2030.35	35°, 3000 K, 27.0 W , 2640 lm	SCEKLP 33.3040.25/DALI	25°, 4000 K, 36.0 W , 3650 lm
SCEKLP 33.2030.35/DALI	35°, 3000 K, 27.0 W , 2640 lm	SCEKLP 33.3040.35	35°, 4000 K, 36.0 W , 3510 lm
SCEKLP 33.2030.35/DALI	35°, 3000 K, 27.0 W , 2640 lm	SCEKLP 33.3040.35	35°, 4000 K, 36.0 W , 3510 lm
SCEKLP 33.2030.55	55°, 3000 K, 27.0 W , 2750 lm	SCEKLP 33.3040.35/DALI	35°, 4000 K, 36.0 W , 3510 lm
SCEKLP 33.2030.55	55°, 3000 K, 27.0 W , 2750 lm	SCEKLP 33.3040.35/DALI	35°, 4000 K, 36.0 W , 3510 lm
SCEKLP 33.2030.55/DALI	55°, 3000 K, 27.0 W , 2750 lm	SCEKLP 33.3040.55	55°, 4000 K, 36.0 W , 3650 lm
SCEKLP 33.2030.55/DALI	55°, 3000 K, 27.0 W , 2750 lm	SCEKLP 33.3040.55	55°, 4000 K, 36.0 W , 3650 lm
SCEKLP 33.2040.15	15°, 4000 K, 27.0 W , 2760 lm	SCEKLP 33.3040.55/DALI	55°, 4000 K, 36.0 W , 3650 lm
SCEKLP 33.2040.15	15°, 4000 K, 27.0 W , 2760 lm	SCEKLP 33.3040.55/DALI	55°, 4000 K, 36.0 W , 3650 lm
SCEKLP 33.2040.15/DALI	15°, 4000 K, 27.0 W , 2760 lm	SCEKLP 33.20.25/B	25°, 2700 K, 42.0 W , 4200 lm
SCEKLP 33.2040.15/DALI	15°, 4000 K, 27.0 W , 2760 lm	SCEKLP 33.20.25/B	25°, 2700 K, 42.0 W , 4200 lm
SCEKLP 33.2040.25	25°, 4000 K, 27.0 W , 2890 lm	SCEKLP 33.20.35/B	35°, 2700 K, 42.0 W , 4010 lm
SCEKLP 33.2040.25	25°, 4000 K, 27.0 W , 2890 lm	SCEKLP 33.20.35/B	35°, 2700 K, 42.0 W , 4010 lm
SCEKLP 33.2040.25/DALI	25°, 4000 K, 27.0 W , 2890 lm	SCEKLP 33.20.55/B	55°, 2700 K, 42.0 W , 3970 lm
SCEKLP 33.2040.25/DALI	25°, 4000 K, 27.0 W , 2890 lm	SCEKLP 33.20.55/B	55°, 2700 K, 42.0 W , 3970 lm
SCEKLP 33.2040.35	35°, 4000 K, 27.0 W , 2780 lm	SCEKLP 33.20.25/F	25°, 3000 K, 44.0 W , 2260 lm
SCEKLP 33.2040.35	35°, 4000 K, 27.0 W , 2780 lm	SCEKLP 33.20.25/F	25°, 3000 K, 44.0 W , 2260 lm
SCEKLP 33.2040.35/DALI	35°, 4000 K, 27.0 W , 2780 lm	SCEKLP 33.20.35/F	35°, 3000 K, 44.0 W , 2160 lm
SCEKLP 33.2040.35/DALI	35°, 4000 K, 27.0 W , 2780 lm	SCEKLP 33.20.35/F	35°, 3000 K, 44.0 W , 2160 lm
SCEKLP 33.2040.55	55°, 4000 K, 27.0 W , 2890 lm	SCEKLP 33.20.55/F	55°, 3000 K, 44.0 W , 2090 lm
SCEKLP 33.2040.55	55°, 4000 K, 27.0 W , 2890 lm	SCEKLP 33.20.55/F	55°, 3000 K, 44.0 W , 2090 lm
SCEKLP 33.2040.55/DALI	55°, 4000 K, 27.0 W , 2890 lm	SCEKLP 33.5030.15	15°, 3000 K, 52.0 W , 5310 lm
SCEKLP 33.2040.55/DALI	55°, 4000 K, 27.0 W , 2890 lm	SCEKLP 33.5030.15	15°, 3000 K, 52.0 W , 5310 lm
SCEKLP 33.3030.15	15°, 3000 K, 36.0 W , 3310 lm	SCEKLP 33.5030.25	25°, 3000 K, 52.0 W , 5580 lm
SCEKLP 33.3030.15	15°, 3000 K, 36.0 W , 3310 lm	SCEKLP 33.5030.25	25°, 3000 K, 52.0 W , 5580 lm
SCEKLP 33.3030.15/DALI	15°, 3000 K, 36.0 W , 3310 lm	SCEKLP 33.5030.35	35°, 3000 K, 52.0 W , 5350 lm
SCEKLP 33.3030.15/DALI	15°, 3000 K, 36.0 W , 3310 lm	SCEKLP 33.5030.35	35°, 3000 K, 52.0 W , 5350 lm
SCEKLP 33.3030.25	25°, 3000 K, 36.0 W , 3470 lm	SCEKLP 33.5030.55	55°, 3000 K, 52.0 W , 5580 lm
SCEKLP 33.3030.25	25°, 3000 K, 36.0 W , 3470 lm	SCEKLP 33.5030.55	55°, 3000 K, 52.0 W , 5580 lm
SCEKLP 33.3030.25/DALI	25°, 3000 K, 36.0 W , 3470 lm	SCEKLP 33.5040.15	15°, 4000 K, 52.0 W , 5580 lm
SCEKLP 33.3030.25/DALI	25°, 3000 K, 36.0 W , 3470 lm	SCEKLP 33.5040.15	15°, 4000 K, 52.0 W , 5580 lm
SCEKLP 33.3030.35	35°, 3000 K, 36.0 W , 3330 lm	SCEKLP 33.5040.25	25°, 4000 K, 52.0 W , 5850 lm
SCEKLP 33.3030.35	35°, 3000 K, 36.0 W , 3330 lm	SCEKLP 33.5040.25	25°, 4000 K, 52.0 W , 5850 lm
SCEKLP 33.3030.35/DALI	35°, 3000 K, 36.0 W , 3330 lm	SCEKLP 33.5040.35	35°, 4000 K, 52.0 W , 5620 lm
SCEKLP 33.3030.35/DALI	35°, 3000 K, 36.0 W , 3330 lm	SCEKLP 33.5040.35	35°, 4000 K, 52.0 W , 5620 lm
SCEKLP 33.3030.55	55°, 3000 K, 36.0 W , 3470 lm	SCEKLP 33.5040.55	55°, 4000 K, 52.0 W , 5850 lm
SCEKLP 33.3030.55	55°, 3000 K, 36.0 W , 3470 lm	SCEKLP 33.5040.55	55°, 4000 K, 52.0 W , 5850 lm