

8265/04-0010 Art. No. 143416



- For use with sparking and non-sparking equipment in Zones 1 and 2
- Six basic enclosure sizes, optional inspection windows, direct and indirect cable entry possible
- International certification, wide temperature range, seawater-resistant light-metal enclosure
- Suitable series 8146/8150 connection-chamber enclosures possible

WebCode **8265A**



R. STAHL series 8265 Ex d enclosures are ideal for motor control units, control boxes and terminal boxes. We equip these with various components, including sparking equipment, according to customer requirements. The cable entry can be direct or indirect. The large cover opening makes commissioning and maintenance easier. Single enclosures are ideal as components in Ex e control systems. Optional, large inspection window possible.

Technical Data

Explosion Protection

| | |
|---------------------------------|------------------------------------------------------------------|
| Application range (zones) | 1 2 21 22 |
| IECEX gas certificate | IECEX PTB 07.0027 U |
| IECEX gas explosion protection | Ex db IIC Gb |
| IECEX dust certificate | IECEX PTB 07.0027 U |
| IECEX dust explosion protection | Ex tb IIIC Db |
| ATEX gas certificate | PTB 06 ATEX 1023 U |
| ATEX gas explosion protection | Ex II 2 G Ex db IIC Gb |
| ATEX dust certificate | PTB 06 ATEX 1023 U |
| ATEX dust explosion protection | Ex II 2 D Ex tb IIIC Db |
| EAC certificate | TS RU S-DE.GB04.B.00111 |
| EAC gas explosion protection | Ex d IIC U Ex de IIC U |
| EAC dust explosion protection | Ex tD A21 IP66 |
| Certificates | ATEX (PTB), Brazil (ULB), EAC (CCVE), IECEX (PTB), Taiwan (ITRI) |
| Ship approval | DNVGL |

Electrical Data

| | |
|-----------------------------------|--------|
| Rated operational voltage max. AC | 1000 V |
| Rated operational current | 160 A |

Ambient Conditions

| | |
|---------------------|-------------------|
| Ambient temperature | -50 °C ... +60 °C |
|---------------------|-------------------|

Mechanical Data

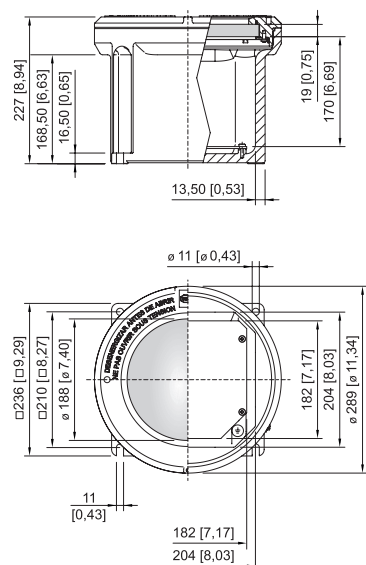
| | |
|------------------------------|---------------------------------------------|
| Degree of protection (IP) | IP54 |
| Note on degree of protection | IP66 with O-ring silicone -60 °C ... +60 °C |

8265/04-0010 Art. No. 143416

Mechanical Data

| | |
|---------------------|-----------------------------------------------------------------------------|
| Enclosure material | Aluminium, copper-free, Seawater-resistant |
| Clamping range max. | 95 mm ² |
| Cover | With inspection window |
| Design | Without entry |
| Width | 236 mm |
| Height | 227 mm |
| Length | 236 mm |
| Enclosure colour | Without |
| Enclosure size | 4 |
| Material note | Where there will be direct contact with seawater, a coating is recommended. |
| Weight | 11.13 kg |
| Weight | 24.54 lb |

Dimensional Drawings (All Dimensions in mm [inches]) – Subject to Alterations



Enclosure size 4 with inspection window

We reserve the right to make alterations to the technical data, dimensions, weights, designs and products available without notice. The illustrations cannot be considered binding.