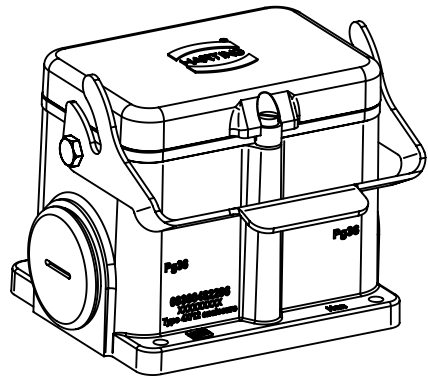


range of delivery: cover closed



	All Dimensions in mm Original Size DIN A4		Scale 1:2	Free size tol.		Ref. Sub. TB 19 30 048 0298 v. 06.12.00		
		All rights reserved Department EL PD - DE		Created by FINKEV	Inspected by BERGHORN	Standardisation RUETERA	Date 2017-12-01	State Final Release
HARTING Electric GmbH & Co. KG D-32339 Espelkamp				Title Han B Base SM LC metal cover 2 x Pg 36			Doc-Key / ECM-Nr. 100668107/UGD/005/C 500000128630	
				Type TB	Number 09 30 048 2296		Rev. C	Page 1/1