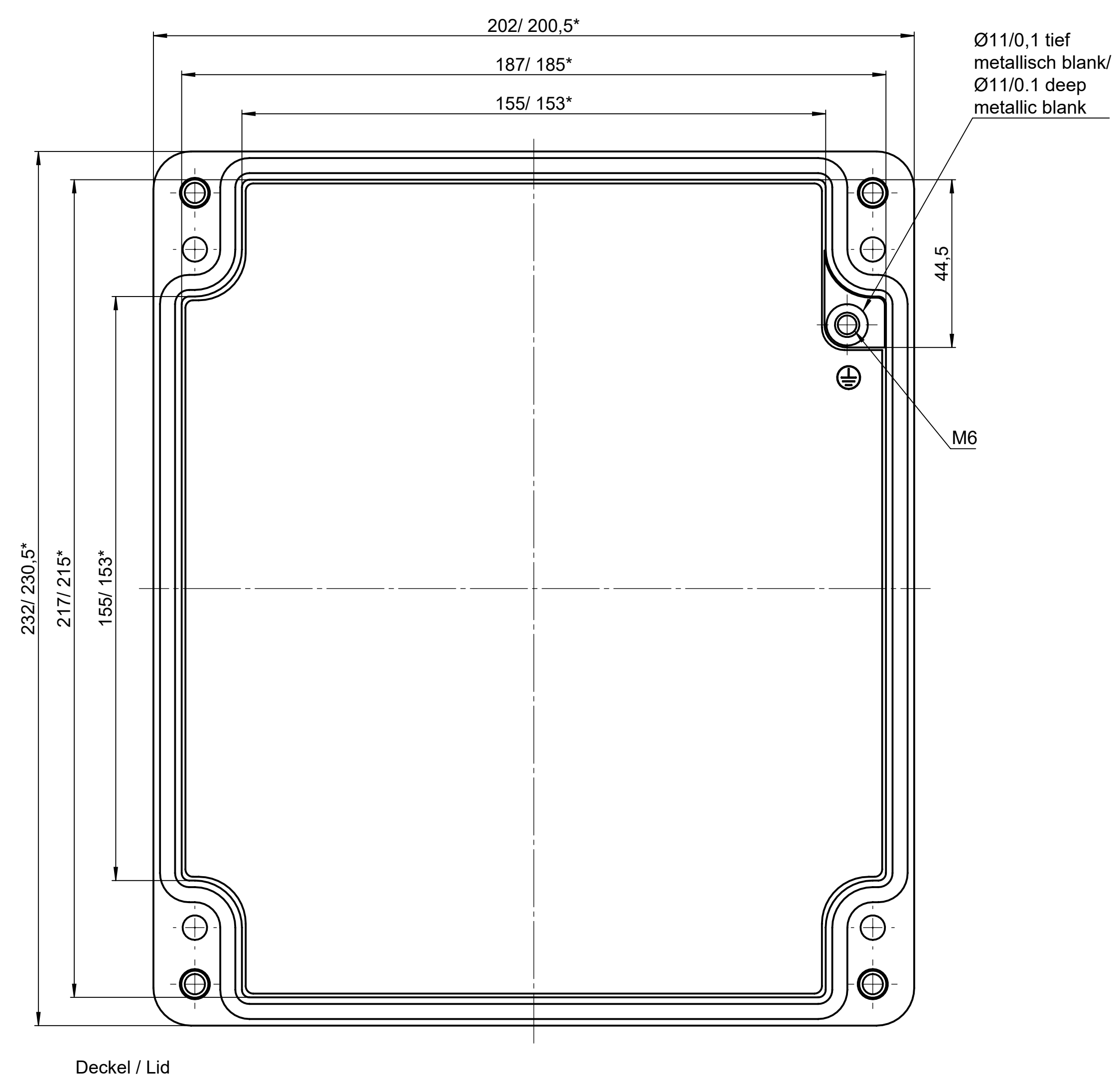
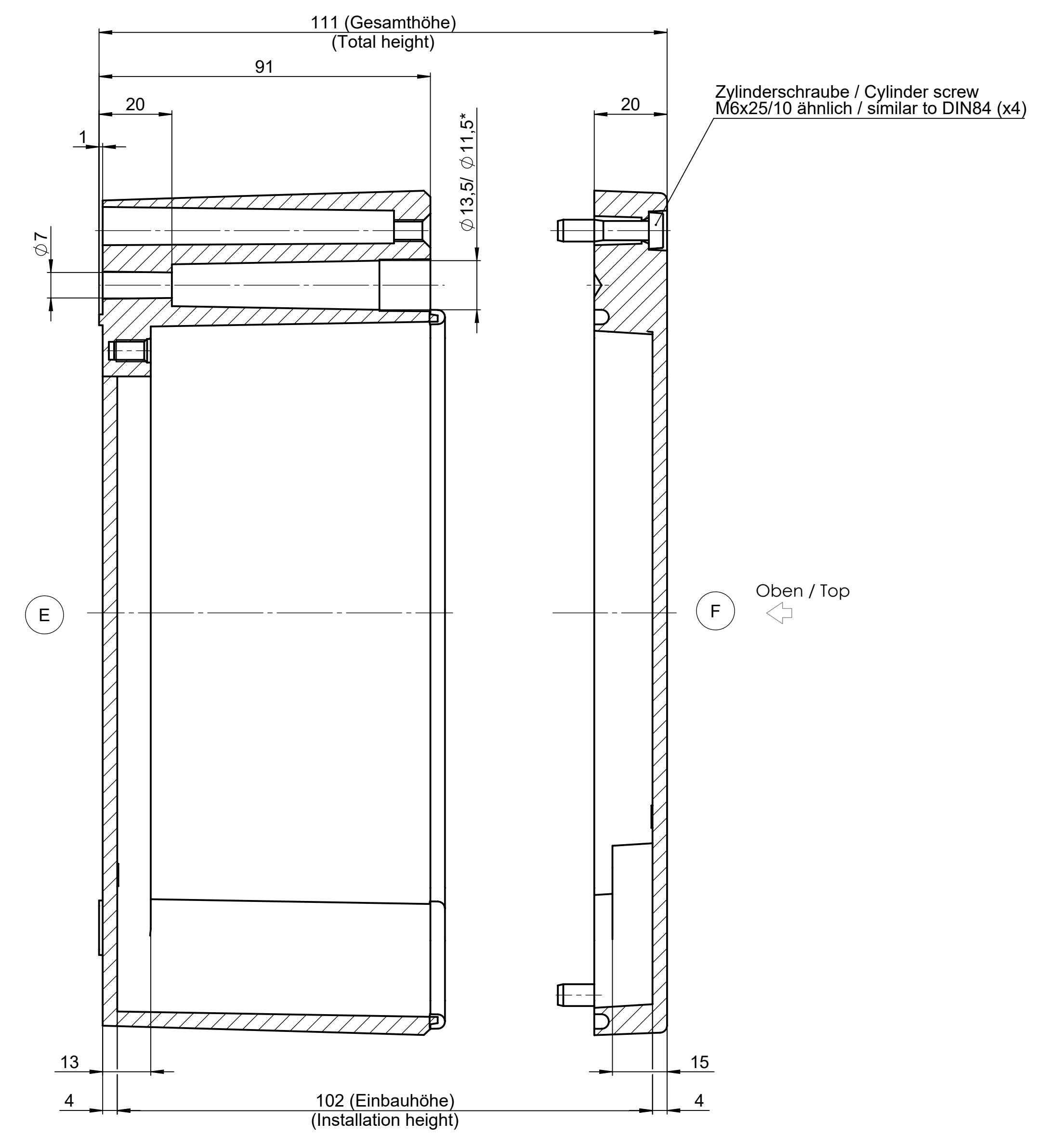
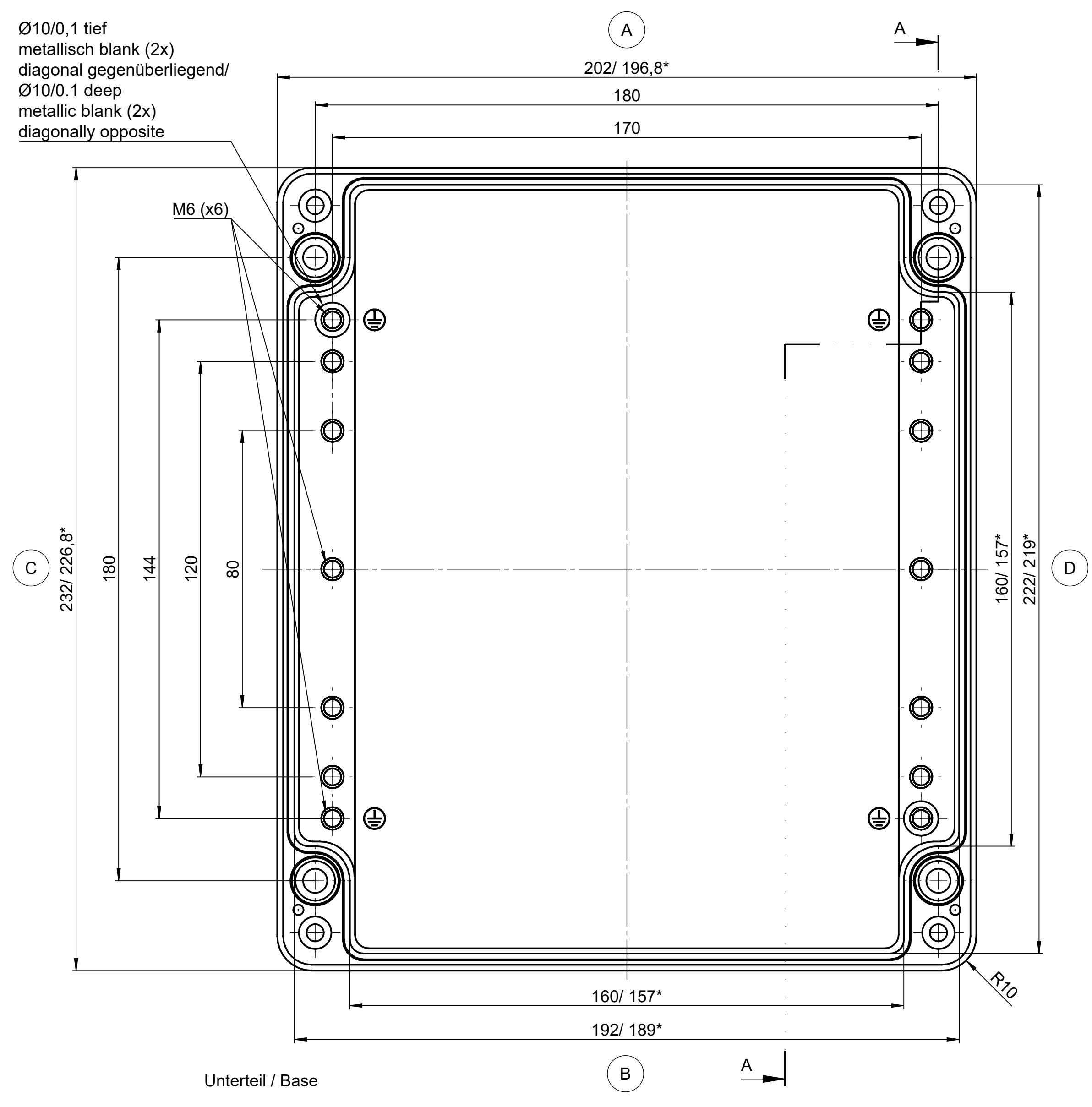


All rights reserved. No copies
 from this drawing may be made
 or used in any way
 without the written consent
 of the manufacturer.



* = Mass durch Formkonizität nach unten verringert.
 Freimass - Toleranz nach GTA 13/5 - DIN 1688
 * = Dimensions reduced in the lower part by mould incline
 General tolerances according to GTA 13/5 - DIN 1688



Index		Änderung/Modification		Datum/Date		Name		Projekt-Nr./Project-no.	
ROSE		Systemtechnik GmbH		11.09.14		D.Mac		Gewicht/Weight	
32457		Porta Westfalica		27.01.21		A.Hel		2,63kg	
1:1		Benennung/Description		Skizze/Scale		Gezeichnet/Drawn		Werkstoff/Material	
DIN A0		Aluminium Gehäuse		1:1		A.Hel		DIN 1688-GTA 13/5	
		Aluminium enclosure						Zusätzliche Notizen/Additional Notes	
								Zeichnung/ Drawing No.	
								KAT01.232011	