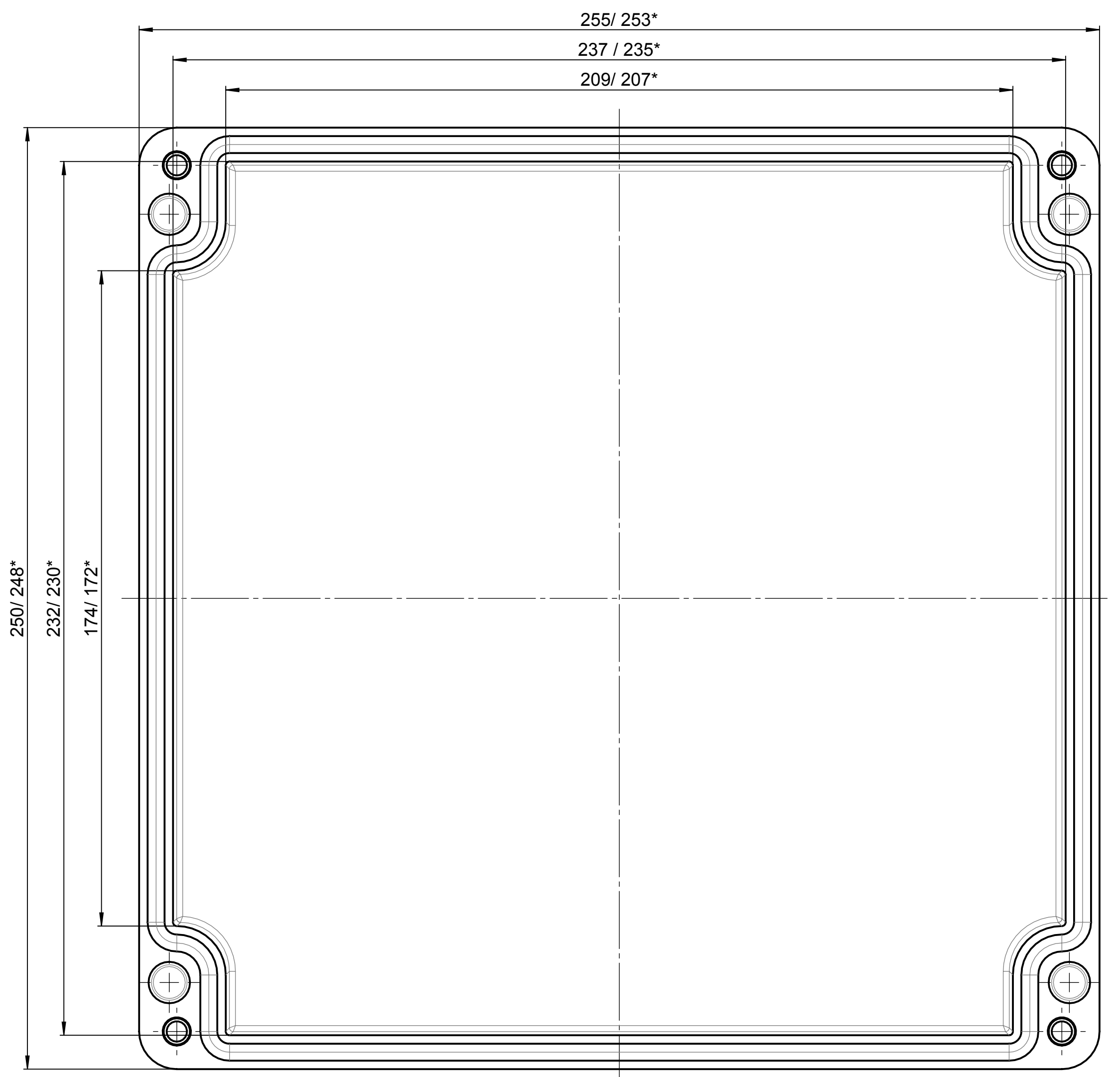
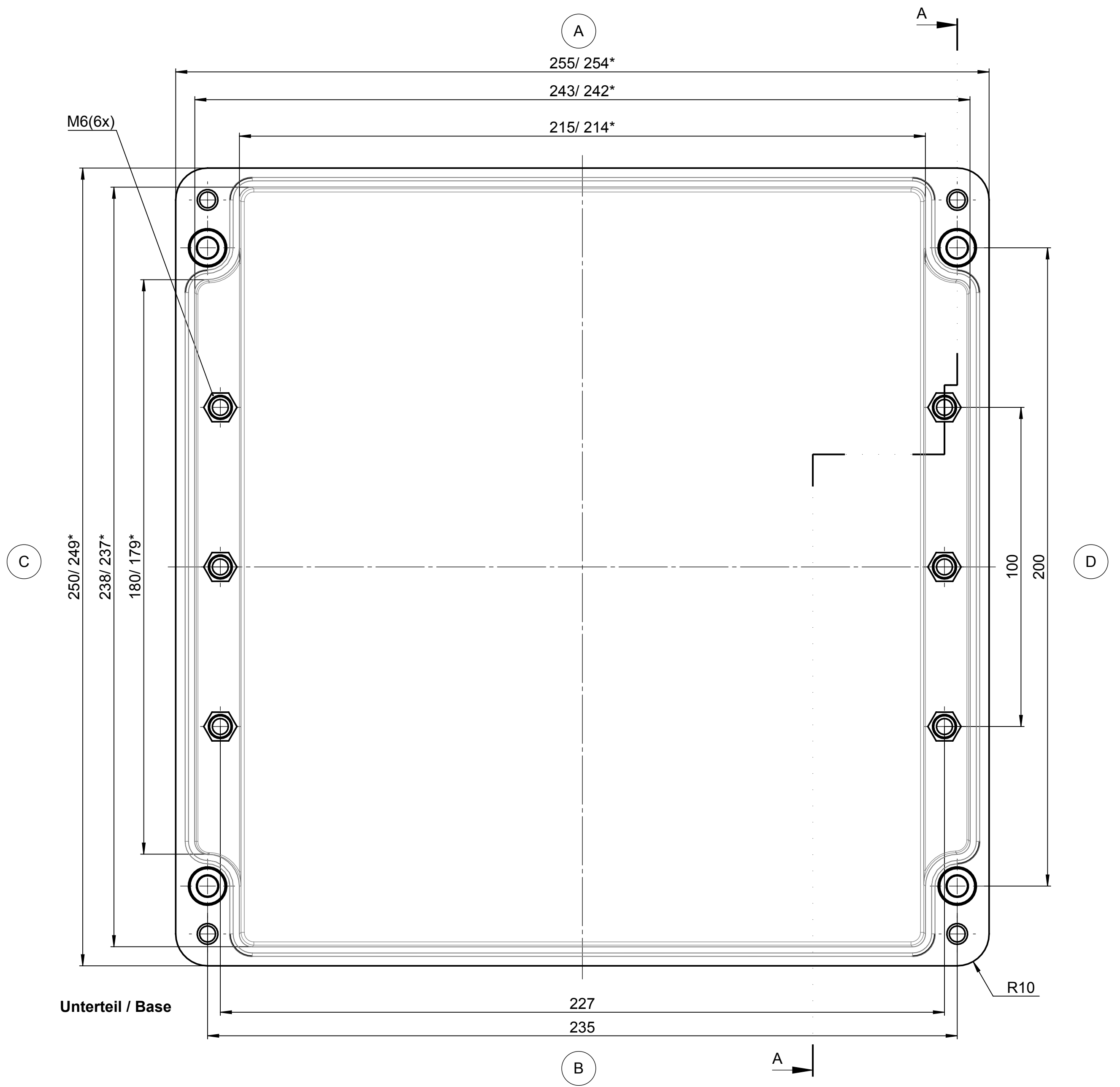


All rights reserved. No copies  
 permitted without written  
 permission of ROSE Systemtechnik  
 GmbH. Any reproduction or  
 distribution in any form  
 is prohibited.

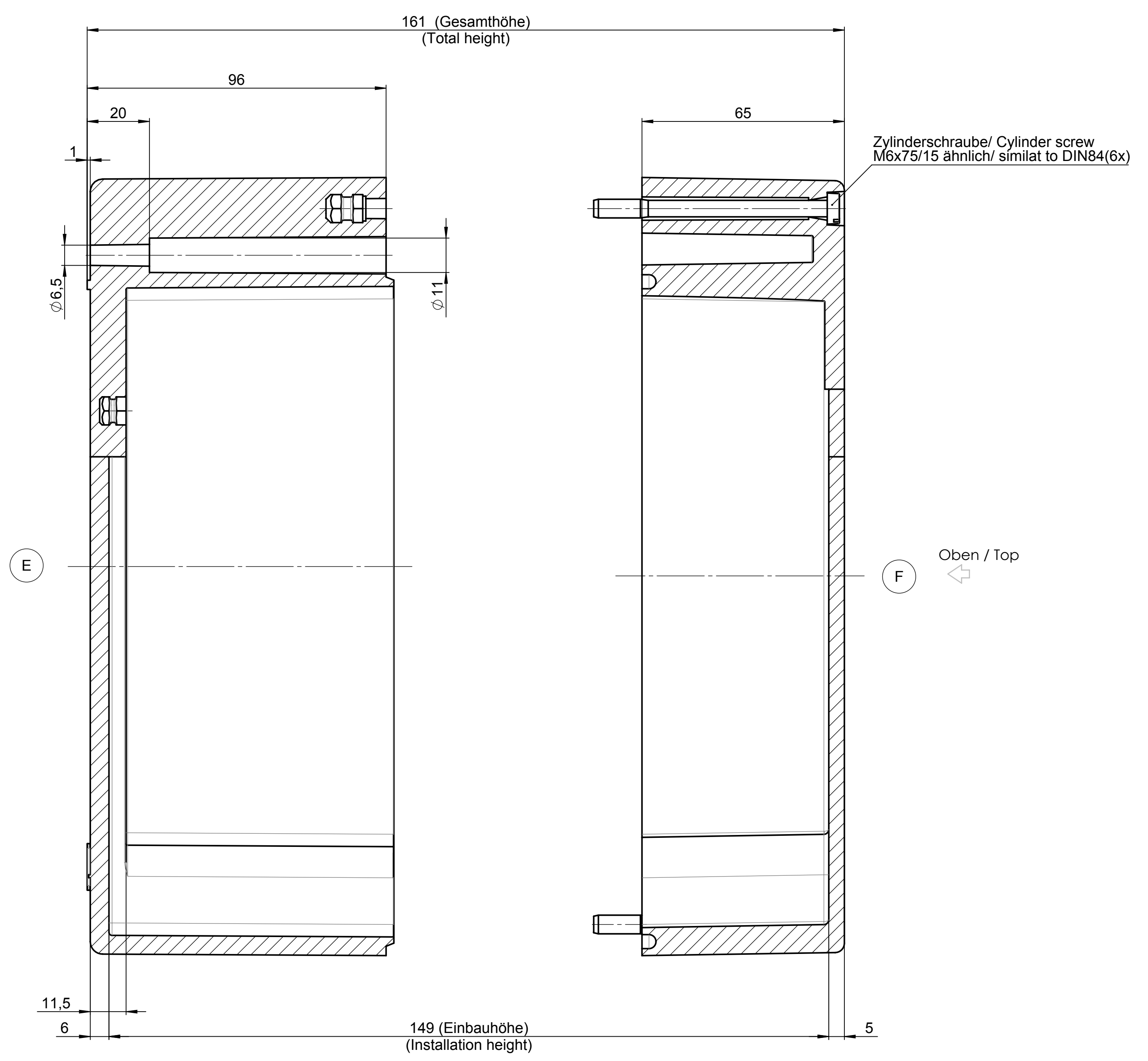


Deckel / Lid

\* = Mass durch Formkonizität nach unten verringert.  
 Freimass - Toleranz nach DIN 16901-130  
 \* = Dimensions reduced in the lower part by mould incline  
 General tolerances according to DIN 16901-130



Unterteil / Base



Zylinderschraube/ Cylinder screw  
 M6x7.5/15 ähnlich/ simliat to DIN94(6x)

Oben / Top

Index		Änderung/Modification		Datum/Date		Name		Projekt-Nr./project-no.	
ROSE		Systemtechnik GmbH		23.02.17		D.Mac		32457 Porta Westfalica	
1:1		Benennung/Description		Scale		Drawing/Note		DIN A0	
1:1		Polyester Gehäuse		1:1		Drawing/Note		KAT02.252616	
DIN A0		Polyester enclosure		1:1		Drawing/Note		KAT02.252616	
DIN A0		Polyester enclosure		1:1		Drawing/Note		KAT02.252616	