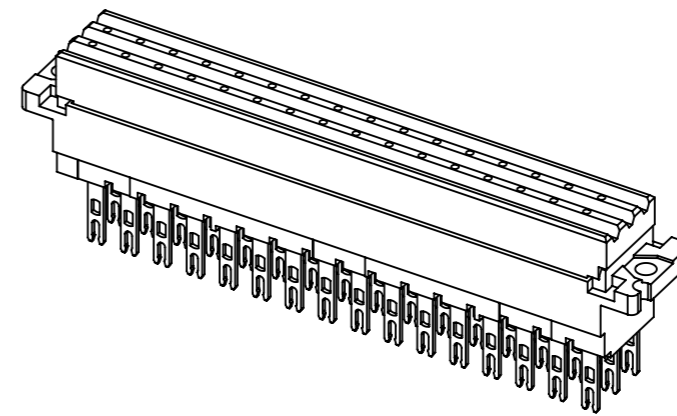
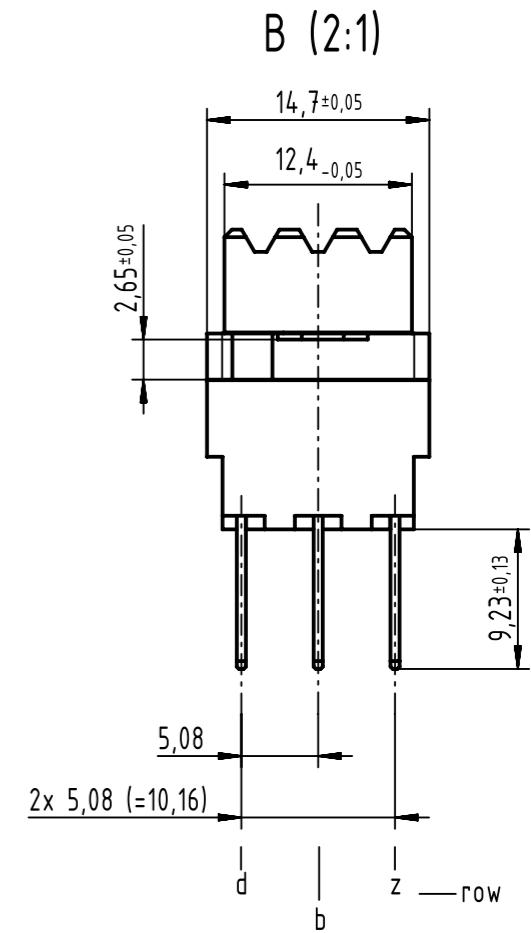


48 solder eye - contacts

■ = position with contact
□ = position without contact



09 06 248 <u>7</u> 823	3
09 06 248 <u>6</u> 823	2
09 06 248 <u>2</u> 823	1
part no.	performance level 1

1 further information see: DS 09062100001

	All rights reserved Department EC PD - DE	Created by STORCK	Inspected by ZWAHR	Standardisation HOFFMANN	Date 2017-05-24	State Final Release	Ref. Sub. TB 09 06 248 X823 / Mod. 32645 / 30.08.2005
	HARTING Electronics GmbH D-32339 Espelkamp	Title DIN Power type F female connector solder type B 48-pole			Doc-Key / ECM-Nr. 100102866/UGD/031/B 500000119355		Rev. B
All Dimensions in mm Original Size DIN A3		Scale 1:1	Free size tol. IEC 60603-2				
Type TB		Number 0906248X823					