

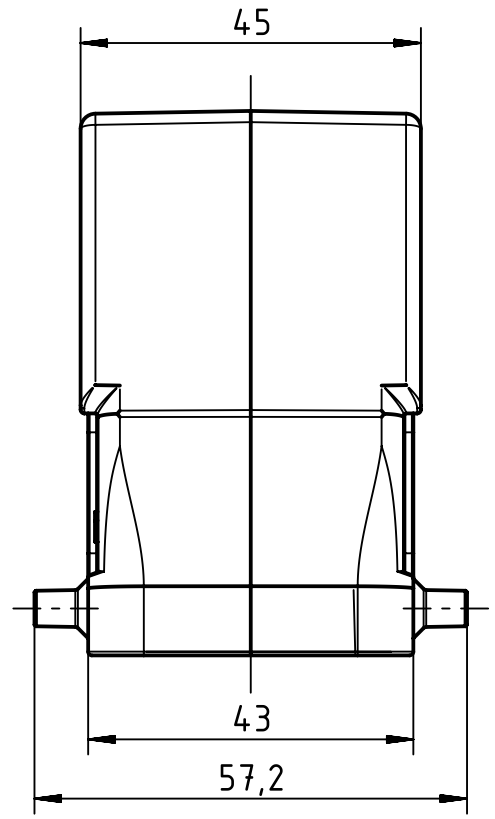
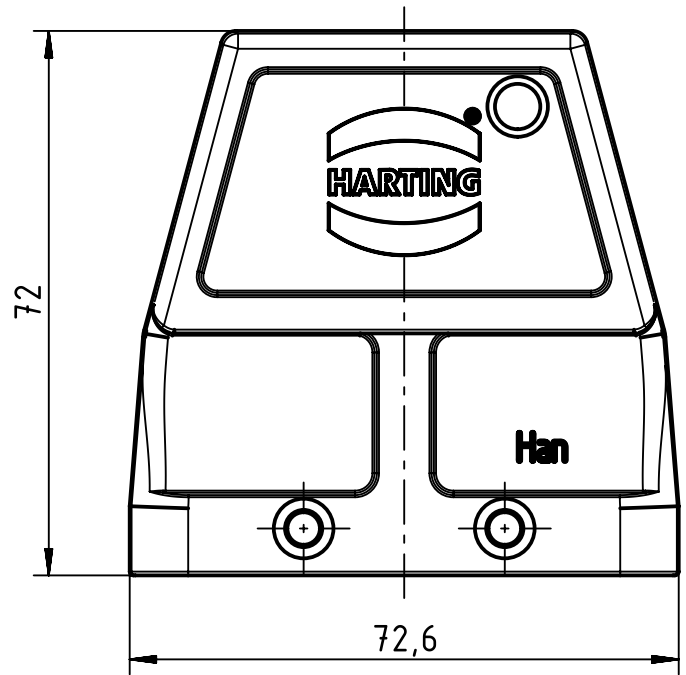
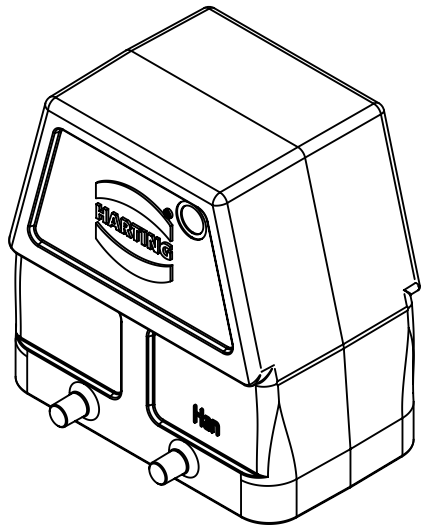
1 2 3 4 5 6

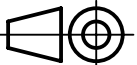

A

B

C

D



 All Dimensions in mm Original Size DIN A4	Scale	Free size tol.			Ref.	
	1:1				Sub. TB 09 30 010 0801 v. 23.08.00	
 All rights reserved Department EL PD - DE	Created by	Inspected by	Standardisation	Date	State	
	SCHULZI	BERGHORN	TIEMANNA	2014-07-21	Final Release	
HARTING Electric GmbH & Co. KG D-32339 Espelkamp	Title				Doc-Key / ECM-Nr.	
	Han 10B-g				100231447/UGD/002/B 500000061817	
Type		Number			Rev.	Page
TB		09 30 010 0801			B	1/1