

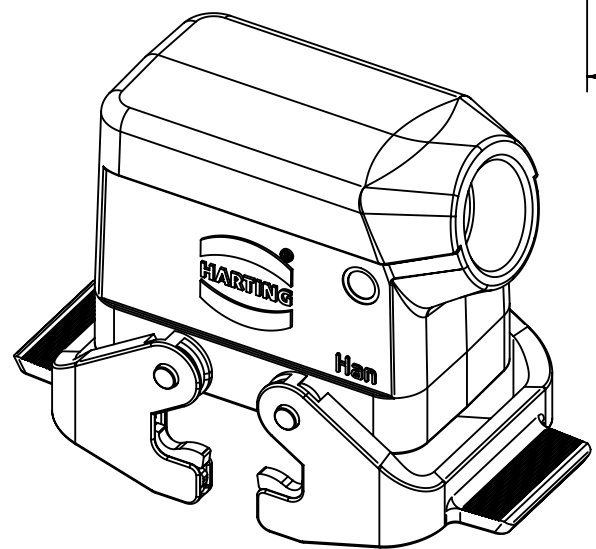
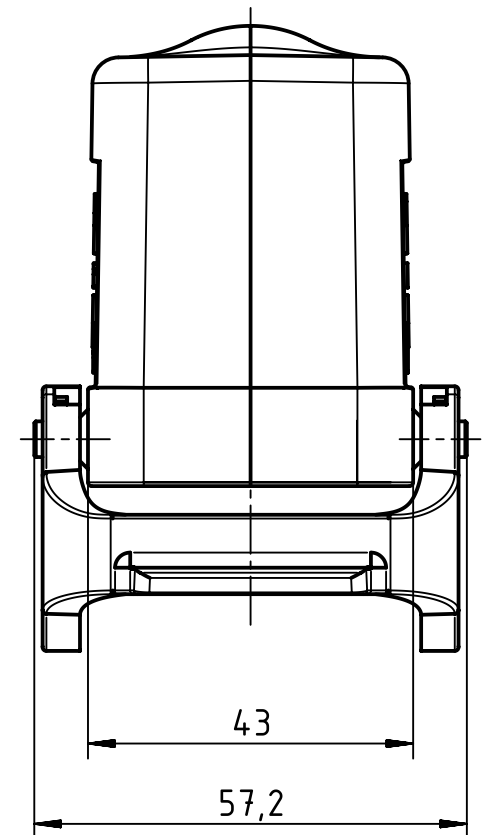
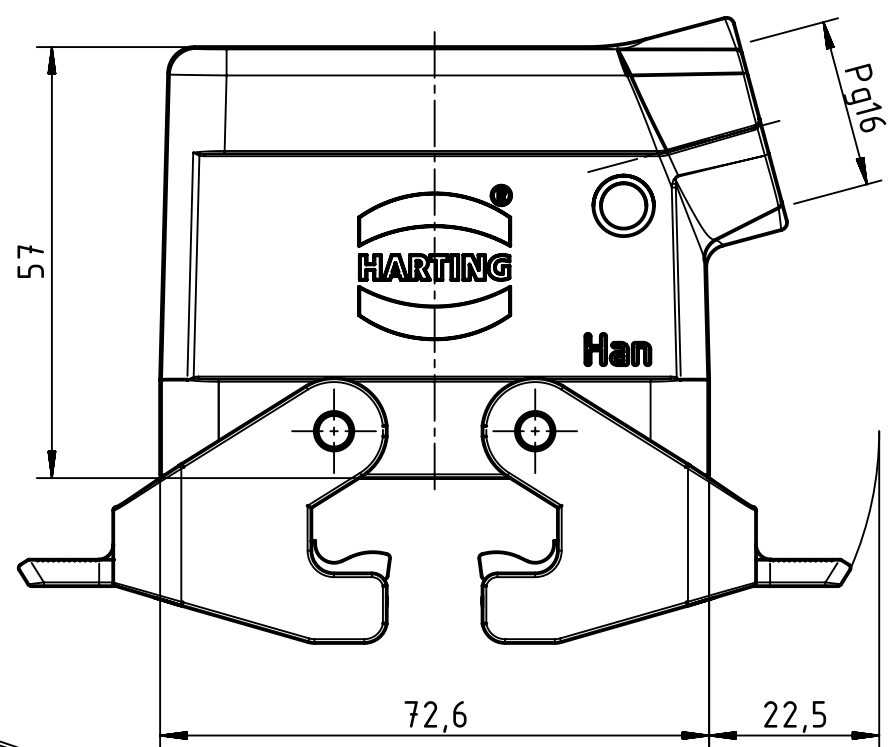
1 2 3 4 5 6

A

B

C

D



	All Dimensions in mm Original Size DIN A4		Scale 1:1	Free size tol.		Ref.
						Sub.
	All rights reserved		Created by SPRENB	Inspected by BERGHORN	Standardisation TIEMANNA	Date 2015-10-15
	Department EL PD - DE					State Final Release
HARTING Electric GmbH & Co. KG D-32339 Espelkamp			Title Han B Hood Side Entry LC 2 Levers PG 16			Doc-Key / ECM-Nr. 100200078/UGD/004/B 500000095422
			Type TB	Number 09 30 010 1531		Rev. B Page 1/1