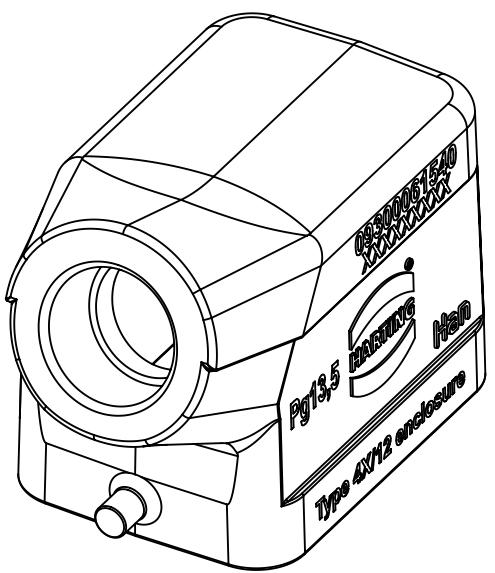
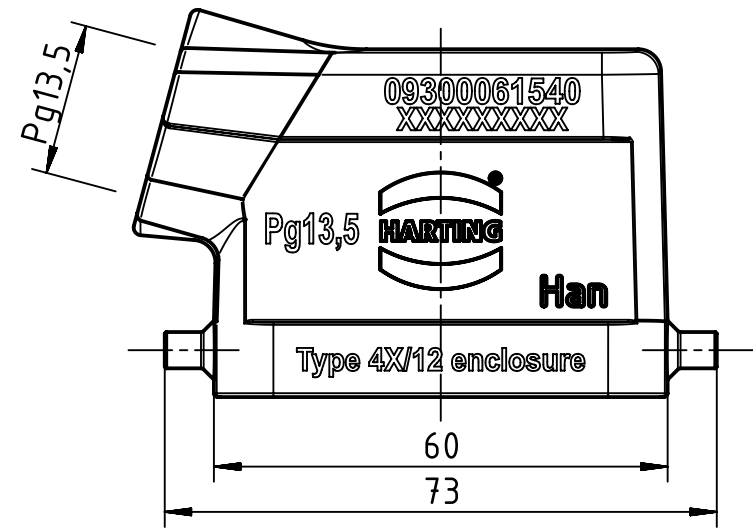
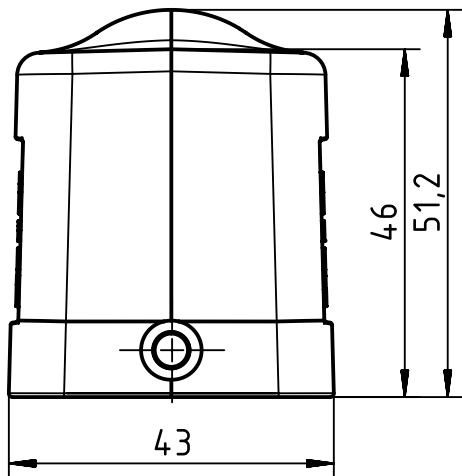



A

B

C

D



	All rights reserved Department EL PD		Created by RULLKOETTER Inspected by BERGHORN		Standardisation RUETERA		Date 2017-04-18 State Final Release		
	HARTING Electric GmbH & Co. KG D-32339 Espelkamp		Title Han B Hood Side Entry LC 2 Pegs PG 13.5				Doc-Key / ECM-Nr. 100178831/UGD/005/C 500000117679		
			Type TB		Number 09 30 006 1540			Rev. C	Page 1/1