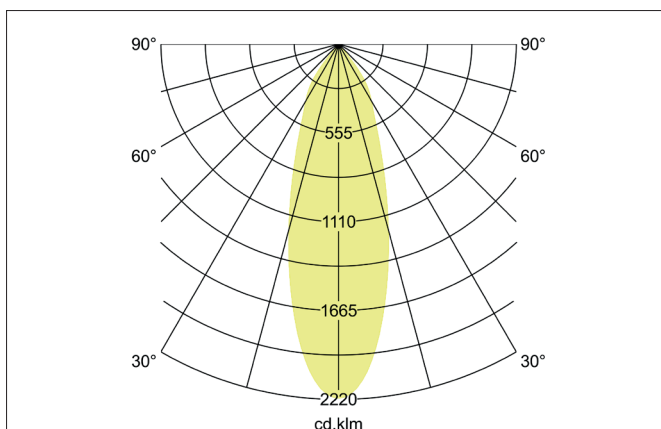
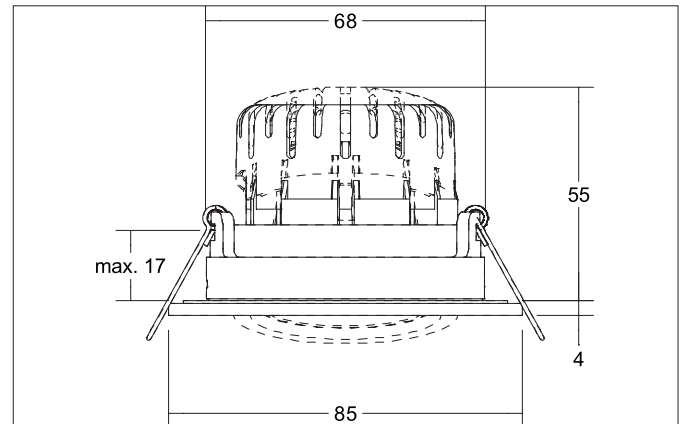


**BB23 LED-Einbaustrahlerset, IP65, Phasenabschnitt dimmbar
(Rundkonverter), mit Anschlussbox**
Article no. 40484173AB

Light.
For Generations.



Tender

LED-Einbaustrahlerset, IP65, Phasenabschnitt dimmbar (Rundkonverter), mit Anschlussbox, Round. Toolless ceiling installation by installation springs. Ceiling cut-out \varnothing 68 mm, Installation depth 55 mm, Outer diameter 85 mm, Weight 0,221 kg, Reflector silver with rotations-symmetrical, deep, wide distributed light intensity. optimal light distribution due to a plastic, transparent cover. Luminous flux 620 lm, Power 1 x 7 W, Light colour warm white, Correlated color temperature (CCT) 3.000 K, Colour rendering index CRI > 80, Rated life time L70/B50 at 25 °C: 30.000 h, Rated life time L80/B20 at 25 °C: 50.000 h, Housing material: Aluminium / Plastic, Colour: White structure, Permissible ambient temperature (ta): -20 °C - +25 °C, Protection class (EN 61140): II, Degree of protection (DIN EN 60529): IP65, .With electronic driver, Trailing-edge phase dimmable.

Article data	
Article no.	40484173AB
GTIN	4251433997559
Series name	BB23
Short description	LED-Einbaustrahlerset, IP65, Phasenabschnitt dimmbar (Rundkonverter), mit Anschlussbox
Material	Aluminium / Plastic
Colour	White
Type of surface	Structure
Shape	Round
Outer diameter	85 mm
Built-in diameter	68 mm
Installation depth	55 mm
Height	4 mm
Scope of delivery	inkl. Anschlussbox, 3-polig zur Durchgangsverdrahtung
Weight	0.221 kg

**BB23 LED-Einbaustrahlerset, IP65, Phasenabschnitt dimmbar
(Rundkonverter), mit Anschlussbox**

Article no. 40484173AB

Light.
For Generations.

Lighting technology	
Colour temperature	3.000 K
Light colour	White
Light output	Direct
Luminous flux	620 lm
System efficiency	89 lm/W
Colour rendering	CRI > 80
Reflector	High-gloss
Reflektorfarbe	silver
Beam angle	36°
Light sharing	Symmetric

Operating technology of the luminaire	
---------------------------------------	--

Operating technology of driver	
Power min	4.9 W
Power	7 W

Mounting technology	
Mounting method	Recessed mounting
Place of installation	Ceiling-mounted
Adjustability	Pivoted
Swivel angle	15°
Max. ceiling thickness	17 mm
Further references	No cover with thermal insulation material
Material cover	Plastic, transparent
Suitable for through-wiring	Yes

Packing data	
Gross weight	0.261 kg
Length of packaging	115 mm
Packaging width	95 mm
Packaging height	80 mm
Disposal at end of life	This product must not be disposed of with household waste. You are obliged, to dispose of such electrical waste separately. By disposing of electrical waste and other old or defective electronics separately, you support recycling or other forms of re-use. In that way you help to take care and to avoid that harmful substances get into the environment.