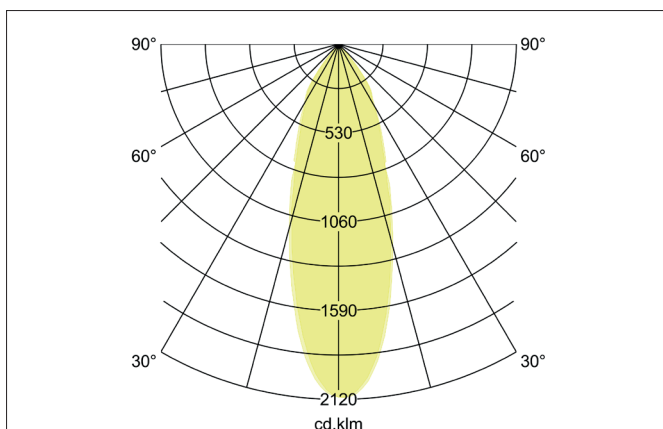
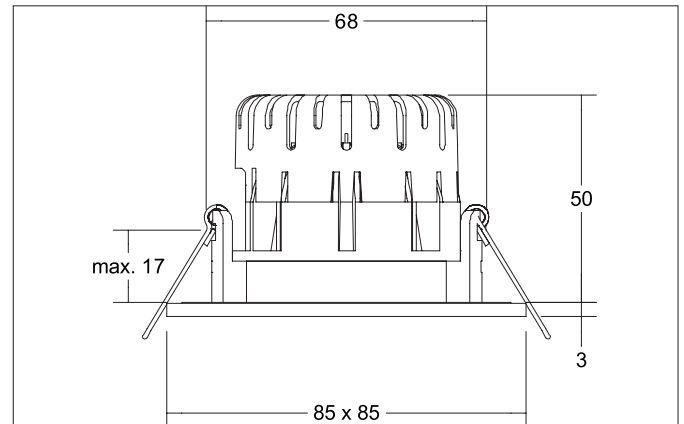
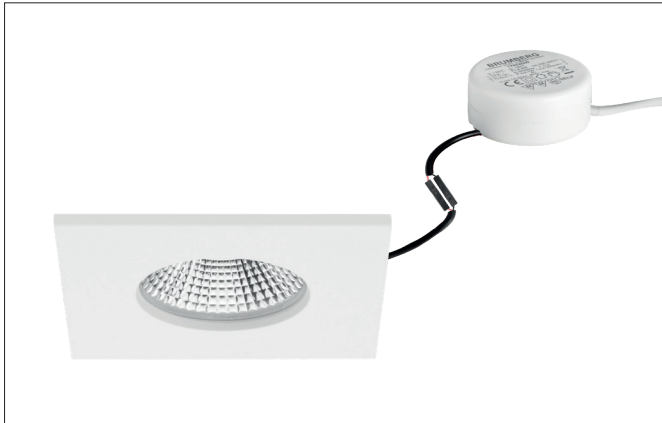


BB21 LED recessed downlight set, IP65, trailing-edge phase dimmable (round converter)

Article no. 40481173

Light.
For Generations.**Tender**

LED recessed downlight set, IP65, trailing-edge phase dimmable (round converter), Square. Toolless ceiling installation by installation springs. Ceiling cut-out Ø 68 mm, Installation depth 50 mm, Outer diameter 82 mm, Weight 0,182 kg, Reflector silver with rotationssymmetrical, deep, wide distributed light intensity, optimal light distribution due to a plastic, transparent cover. Luminous flux 620 lm, Power 1 x 7 W, Light colour warm white, Correlated color temperature (CCT) 3.000 K, Colour rendering index CRI > 80, Rated life time L70/B50 at 25 °C: 30.000 h, Rated life time L80/B20 at 25 °C: 50.000 h, Housing material: Aluminium / Plastic, Colour: White structure, Permissible ambient temperature (ta): -20 °C - +25 °C, Protection class (EN 61140): II, Degree of protection (DIN EN 60529): IP65, .With electronic driver, Trailing-edge phase dimmable.

Article data	
Article no.	40481173
GTIN	4251433948544
Series name	BB21
Short description	LED recessed downlight set, IP65, trailing-edge phase dimmable (round converter)
Material	Aluminium / Plastic
Colour	White
Type of surface	Structure
Shape	Square
Outer diameter	82 mm
Built-in diameter	68 mm
Installation depth	50 mm
Length	85 mm
Width	85 mm
Hight	3 mm
Weight	0.182 kg

BB21 LED recessed downlight set, IP65, trailing-edge phase dimmable (round converter)

Article no. 40481173

Light.
For Generations.

Lighting technology	
Colour temperature	3.000 K
Light colour	White
Light output	Direct
Luminous flux	620 lm
System efficiency	89 lm/W
Colour rendering	CRI > 80
Reflector	High-gloss
Reflektorfarbe	silver
Beam angle	36°
Light sharing	Symmetric

Operating technology of the luminaire	

Operating technology of driver	
Power min	4.9 W
Power	7 W

Mounting technology	
Mounting method	Recessed mounting
Place of installation	Ceiling-mounted
Adjustability	Not adjustable
Max. ceiling thickness	17 mm
Further references	No cover with thermal insulation material
Material cover	Plastic, transparent
Suitable for through-wiring	Yes, with optional accessories

Packing data	
Gross weight	0.224 kg
Length of packaging	115 mm
Packaging width	95 mm
Packaging height	80 mm
Disposal at end of life	This product must not be disposed of with household waste. You are obliged, to dispose of such electrical waste separately. By disposing of electrical waste and other old or defective electronics separately, you support recycling or other forms of re-use. In that way you help to take care and to avoid that harmful substances get into the environment.