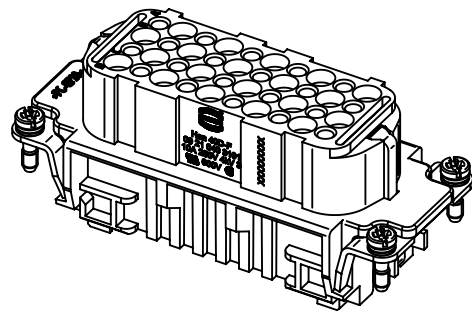
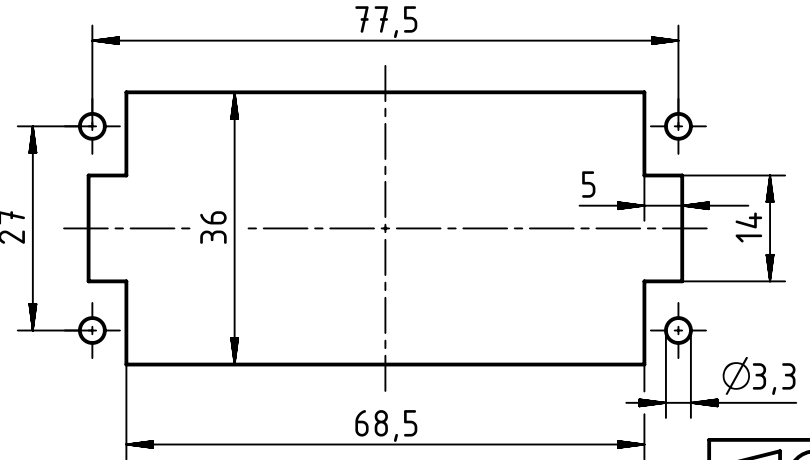


panel cut out



	All Dimensions in mm Original Size DIN A4		Scale 1:1	Free size tol.		Ref.	
			Created by LUPU	Inspected by PRIESTER	Standardisation RUETERA	Date 2019-01-16	State Final Release
		All rights reserved Department EL PD	Title Han D 40 Pos. F Insert Crimp			Doc-Key / ECM-Nr. 100125212/UGD/005/B 500000118542	
		HARTING Electric GmbH & Co. KG D-32339 Espelkamp	Type TB	Number 09 21 040 3101		Rev. B	Page 1/1