

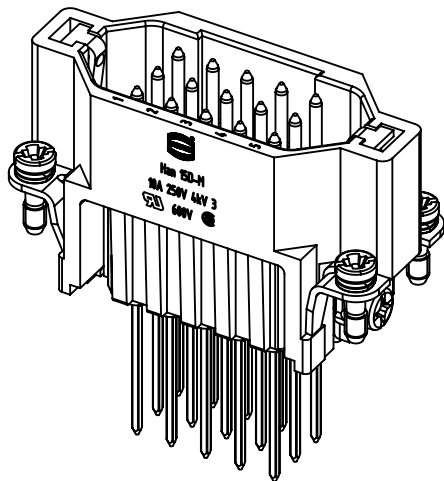
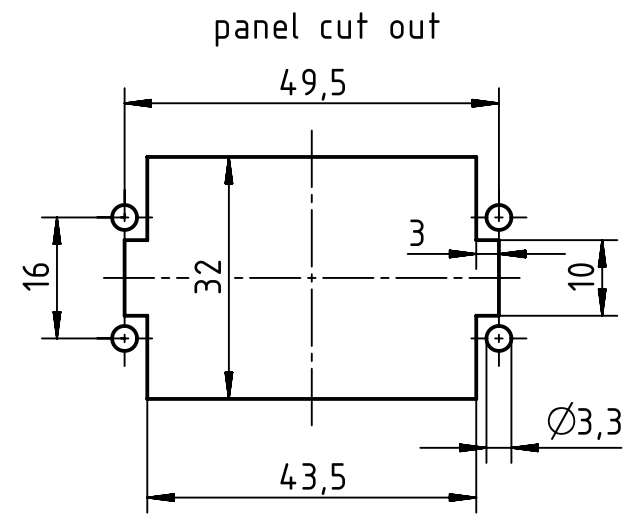
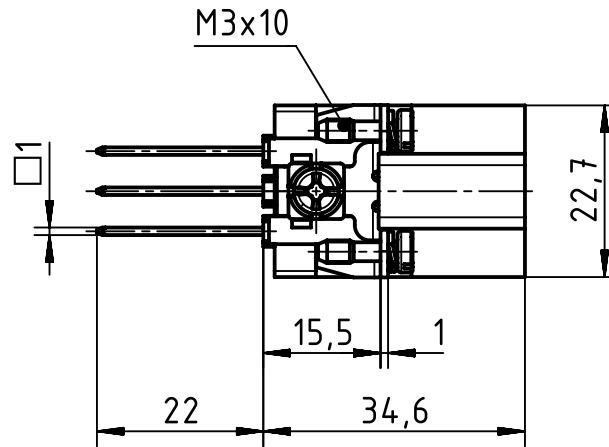
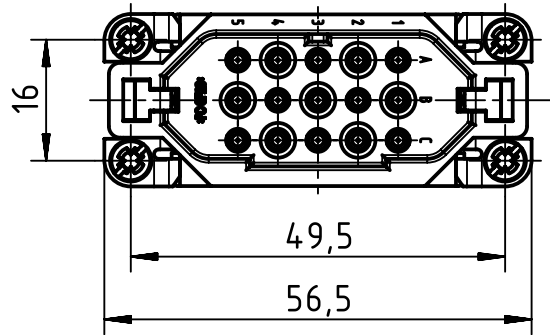
1 2 3 4 5 6

A

B

C

D



screen line distance between the contacts: 5,3mm

	All Dimensions in mm Original Size DIN A4	Scale 1:1		Free size tol.		Ref.	
						Sub.	
	All rights reserved Department EL PD - DE	Created by	Inspected by	Standardisation	Date	State	
		KLASSEN P	BERGHORN	RUETERA	2016-11-14	Final Release	
HARTING Electric GmbH & Co. KG D-32339 Espelkamp		Title Han D 15 Pos. M Insert Wire Wrap				Doc-Key / ECM-Nr. 100219226/UGD/003/C 500000108689	
		Type TB	Number 09 21 015 2601			Rev. C	Page 1/1