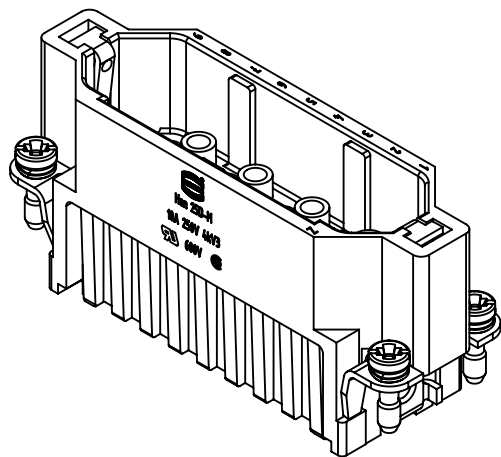
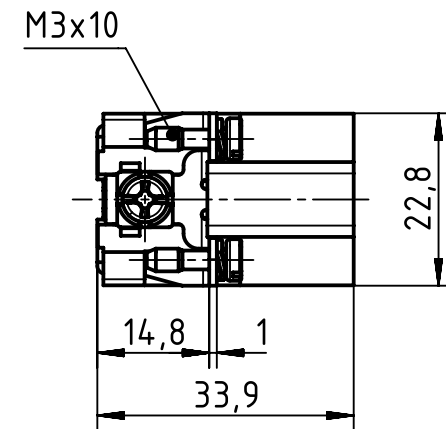
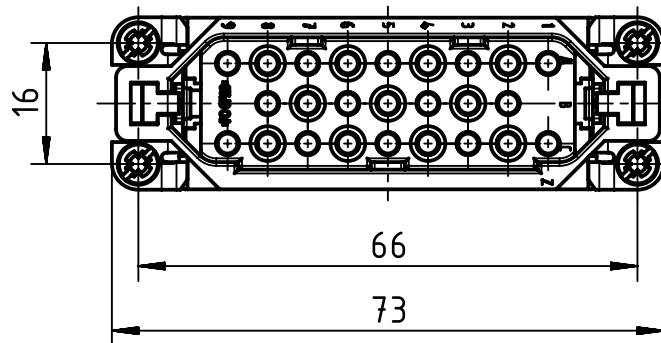
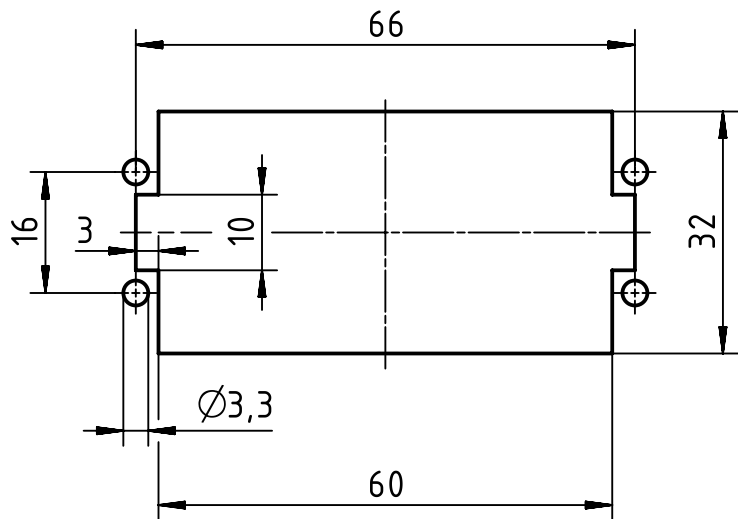



panel cut out



	All Dimensions in mm Original Size DIN A4		Scale 1:1	Free size tol.		Ref.	
	All rights reserved Department EL PD - DE		Created by KLASSEN P	Inspected by BERGHORN	Standardisation RUETERA	Date 2016-11-14	State Final Release
HARTING Electric GmbH & Co. KG D-32339 Espelkamp		Title Han D 25 Pos. M Z insert Crimp				Doc-Key / ECM-Nr. 100127550/UGD/010/C 500000108689	
		Type TB	Number 09 21 025 3011			Rev. C	Page 1/1