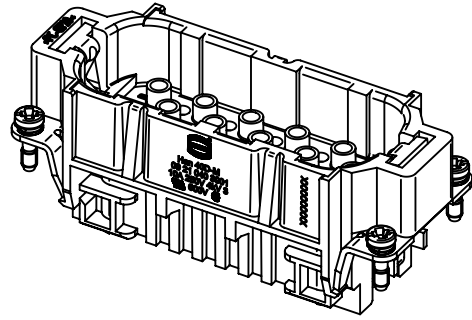
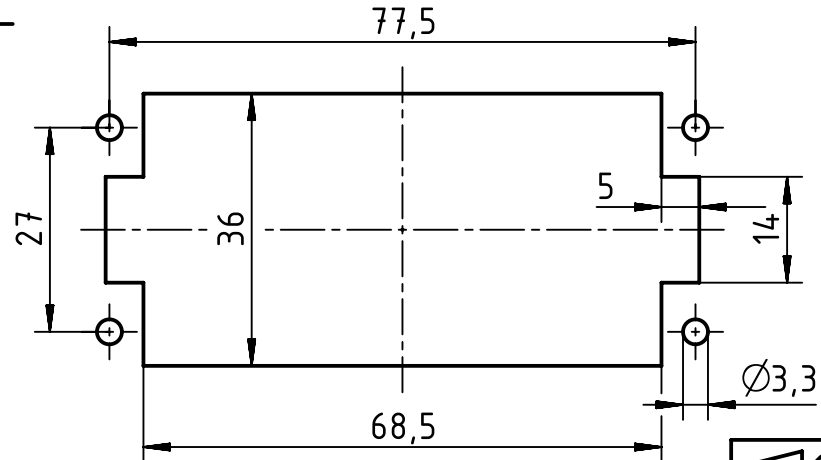



panel cut out



	All rights reserved		Created by LUPU		Inspected by PRIESTER		Standardisation RUETERA		Date 2019-01-16		State Final Release	
	Department EL PD		Title Han D 40 Pos. M Insert Crimp		Doc-Key / ECM-Nr. 100179628/UGD/004/B 500000118542		Type TB		Number 09 21 040 3001		Rev. B	
HARTING Electric GmbH & Co. KG D-32339 Espelkamp			All Dimensions in mm Original Size DIN A4		Scale 1:1 Free size tol.		Ref. Sub.		Rev. B		Page 1/1	