

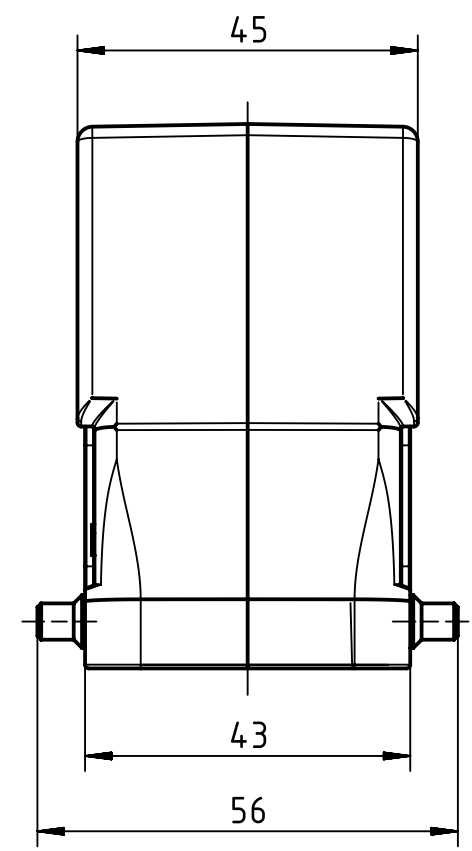
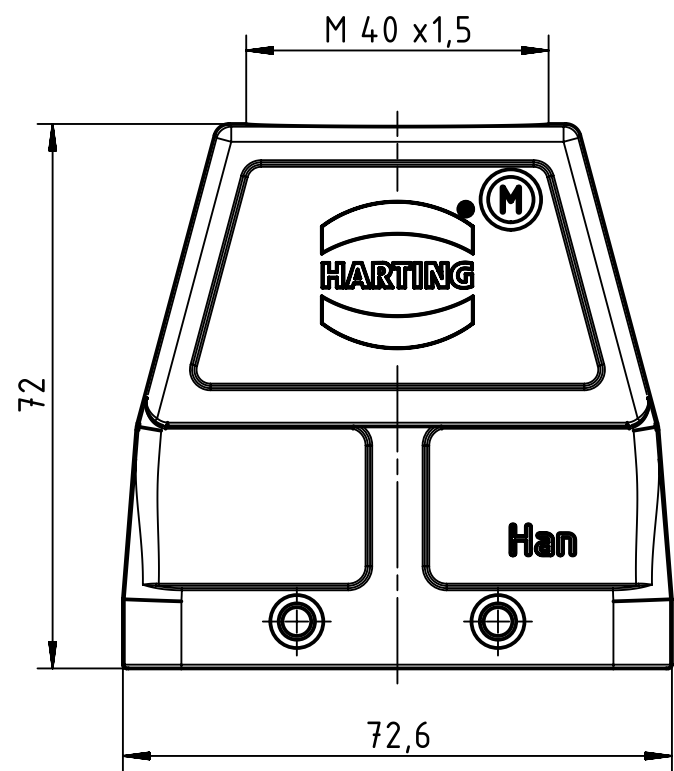
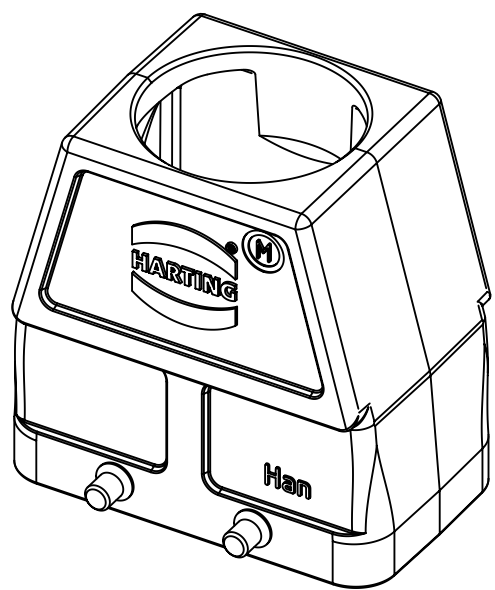
1 2 3 4 5 6

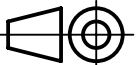

A

B

C

D



 All Dimensions in mm Original Size DIN A4	Scale 1:1		Free size tol.		Ref.	
	Created by SCHULZI		Inspected by MOOR		Standardisation TIEMANNA	
 All rights reserved Department EL PD - DE	Date 2014-10-29		State Final Release		Doc-Key / ECM-Nr. 100184711/UGD/004/B 500000081229	
	Title Han 10EMC/B-HTE-M40 (HT)				Rev. B Page 1/1	
HARTING Electric GmbH & Co. KG D-32339 Espelkamp		Type TB		Number 19 62 810 0428		