

AMY VARIO

EN	Installation Instructions	HR	Uputstvo za montažu	SE	Installationsanvisning
DE	Montageanleitung	NL	Montagehandleiding	RU	Инструкция по монтажу
CZ	Montážní návod	RO	Instrucțiunile de montaj	SRB	Instrukcija za instalaciju
DK	Monteringsvejledning	IT	Istuzioni di montaggio	SK	Montážny návod
EE	Paigaldusjuhend	LT	Montavimo Instrukcijos	SLO	Navodilo za montažo
FI	Asennusohje	LV	Instalācijas instrukcija	CN	安装说明书
FR	Notice de montage	NO	Monteringsanvisning		
HU	Szerelési útmutató	PL	Instrukcja montażu		

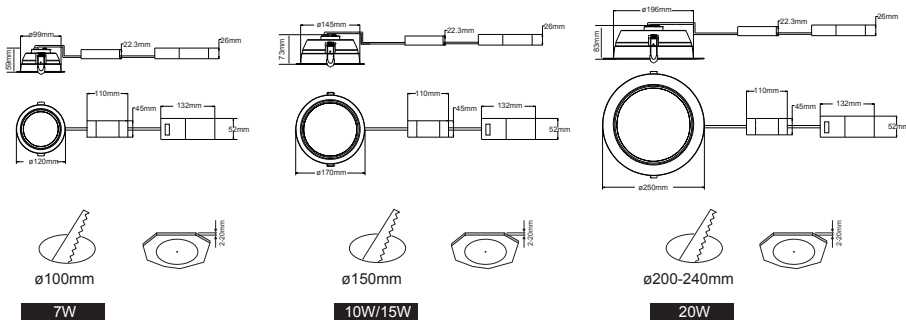


1. Installation and commissioning may only be carried out by authorised specialists and wired in accordance with the latest IEE electrical regulations or the national standards.
2. Mains power must be switched off before carrying out installation.
3. The manufacturer shall not be liable for any damage resulting from inappropriate modifications to the luminaire or faulty installation.
4. Indoor use only.
5. Caution, risk of electric shock.
The control gear provides basic insulation between the LV supply and the control circuit.
6. Luminaires not suitable for covering with thermally insulating material

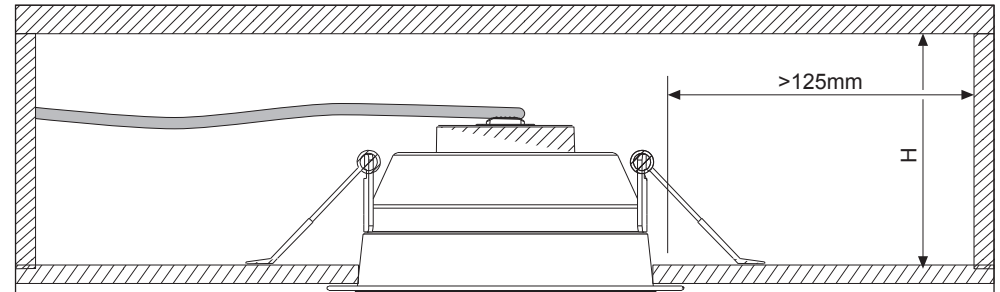


You can help protect the environment!
Please remember to respect the local regulations: hand in non-working electrical equipment to an appropriate waste disposal centre. The packaging material is recyclable. Dispose of the packaging in an environmentally friendly manner and make it available for the recyclable material collection service.

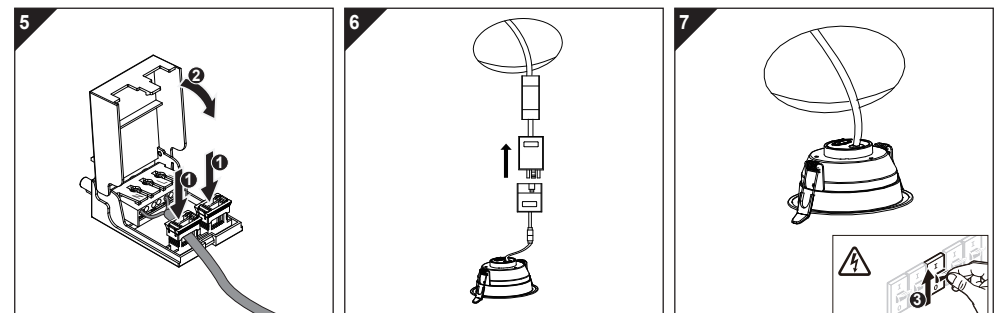
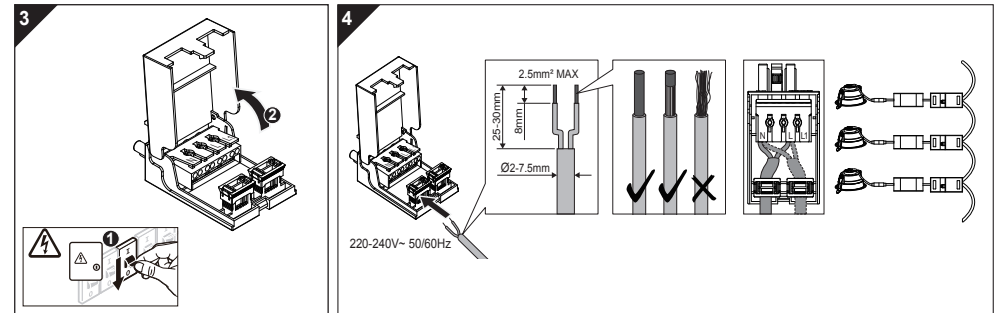
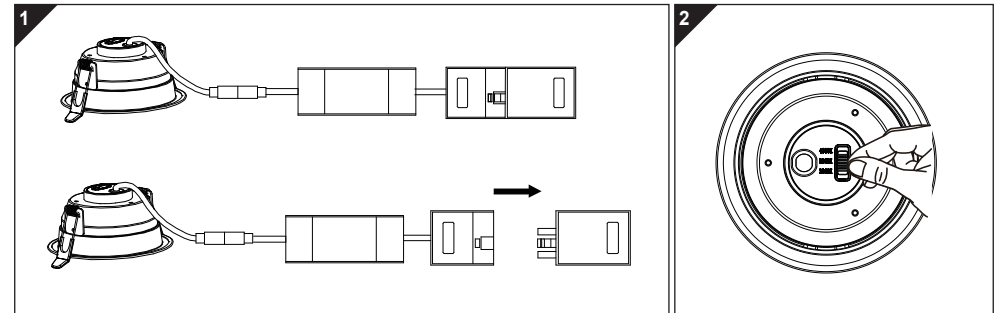
Product Description	SAP Code	Wattage	Photobiological Risk Group	Voltage	PF	CRI	Ta	CCT
AMY VARIO 100 LED DL 700 830/35/40	96632753	7W	RG0	220-240V~ 50/60Hz	>0.8	>80	-20°C ~ +40°C	3000K/3500K/4000K
AMY VARIO 150 LED DL 1000 830/35/40	96632754	10W	RG0		>0.85			3000K/3500K/4000K
AMY VARIO 150 LED DL 1500 830/35/40	96632755	15W	RG0		>0.9			3000K/3500K/4000K
AMY VARIO 200 LED DL 2000 830/35/40	96632756	20W	RG0		>0.9			3000K/3500K/4000K



AMY VARIO



	H
7W	110mm
10W/15W	120mm
20W	130mm



AMY VARIO

Dimmer Compatibility

Brand	Dimmer Item No.	Voltage Range	Power
Berker	2874	230V	20-525W
Busch-Dimmer	6513U-102	230V	40-420W
EL	1400720.00	220-240V	100W
ELV	EU-200P	220-240V	200W
EUCHIPS	Walldim106	220-240V	400W
Hamilton	LEDIT-B100	220-240V	100W
Ipuray	BRT-D204	220-240V	150W
Ipuray	BRT-D200D	220-240V	450W
LAP	DM400AP	220-240V	100W
Merten	MEG5132-0000	220-240V	40-400W
Merten	MEG5133-0000	220-240V	40-600W
VARILIGHT	JQP401W	220-240V	120W
VARILIGHT	KQP221W	220-240V	225W
VARILIGHT	JQP252W	220-240V	100W
VOLEX	D1400LEDPUNR	220-240V	100W
ZANO	ZMC250	220-240V	500W

***Important notice: Please select the compatible dimmer only from the above list to secure the function and the safety.