

## Panel mounted socket, straight TN - flange 107x100 fixing centers 85x77

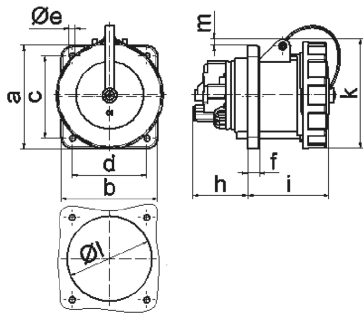


Product description	
BALS-Prd.-Nr	13188
EAN	4024941131889
Product category	TN panel mounting socket outlet, straight
Current	63A
Number of poles	5p
Arrangement of phases	3p+N+PE
Position of earth contact	2 h
Voltage	> 50V~

Product description	
Frequency	> 300 - 500Hz
VG-type-no.:	VG 96919 AS 012
Supply no.:	5935-12-321-5243
Protection degree	IP67
Colour code	bronze-green RAL 6031-F9
Colour of appliance	Hinged lid bronze-green RAL 6031-F9, Enclosure bronze-green RAL 6031-F9, Bayonet ring bronze-green RAL 6031-F9
Connection design	screw terminal as box terminal with Kontex-contact
Maximum conductor size	25.0 qmm
Cable entry	other
Height	114mm
Width	111mm
Depth	139mm
Flange size vertical in mm	107mm
Flange size horizontal in mm	100mm
Drill hole dist. vertical mm	85mm
Drill hole dist. horizontal mm	77mm
Material of enclosure	Polyamide
Contacts	The contact carrier is made of high temperature resistant material, the contacts are brass nickel plated

Additional technical properties	
	with pilot contact
	With bayonet cover on strap

Logistics data	
Weight/pcs	0.615 kg / Piece
Packaging	Bag
Content amount	1 ST
EAN	4024941131889
Length	139 mm
Width	111 mm
Height	114 mm
Weight	0.616 kg
Volume	1,758.906 ccm
Packaging	Carton
Content amount	5 ST
EAN	4024941838504
Length	295 mm
Width	185 mm
Height	215 mm
Weight	3.239 kg
Volume	9,975 ccm



4 MB 134

Ampere	63	63	63	125	125	125
Polzahl	3	4	5	3	4	5
a	107,0	107,0	107,0	120,0	120,0	120,0
b	100,0	100,0	100,0	120,0	120,0	120,0
c	85,0	85,0	85,0	100,0	100,0	100,0
d	77,0	77,0	77,0	100,0	100,0	100,0
e Ø	6,5	6,5	6,5	6,5	6,5	6,5
f	12,0	12,0	12,0	21,0	21,0	21,0
h	57,0	57,0	57,0	50,0	50,0	50,0
i	77,0	77,0	77,0	117,0	117,0	117,0
k	113,0	113,0	113,0	129,0	129,0	129,0
l Ø	88,0	88,0	88,0	104,0	104,0	104,0
m	8,0	8,0	8,0	6,0	6,0	6,0
Leiter mm <sup>2</sup> min	6,0	6,0	6,0	25,0	25,0	25,0
Leiter mm <sup>2</sup> max	25,0	25,0	25,0	70,0	70,0	70,0