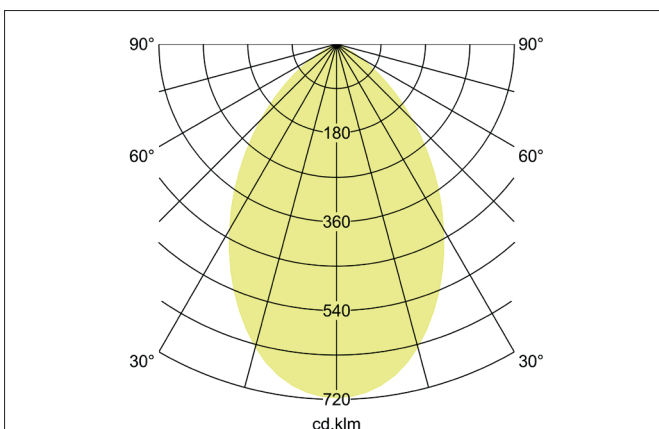
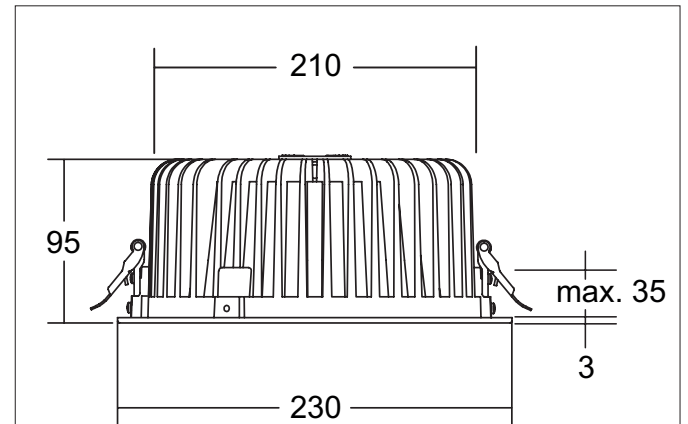


**KACIE MAXI LED recessed downlight, DALI dimmable**

Article no. 12553184

Light.  
For Generations.**Tender**

LED recessed downlight, DALI dimmable, black structure, Round. In a compact design, for installation in tool-less rapid assembly systems. Mounting method: Recessed mounting, Place of installation: Ceiling-mounted, Material: Aluminium / Polycarbonate / Steel, Degree of protection: according to DIN EN 60529 IP20, Protection class: (EN 61140) II, Voltage: 230V AC 50Hz, Power: 32.5W, Amount of light sources / fittings: 1.0 Qty, Luminous flux: 2.720lm, Colour temperature: 4.000 K, Beam angle: 70°, Adjustability: Not adjustable, With control gear: Yes, Dimmable: Yes, Control: DALI-2 .

**Product Benefits**

- Round recessed downlight made of massive aluminum with generously dimensioned thermal management.
- High-quality reflector and additional recessed opal diffusing lens made of polycarbonate.
- Easy and tool-free mounting.
- CRI > 90, UGR <22 (on request also in UGR <19).
- Low installation depth of 95 mm - diameter of 230 mm, ceiling cut-out 210 mm.
- DALI dimmable.

**KACIE MAXI LED recessed downlight, DALI dimmable**

Article no. 12553184

Light.  
For Generations.

| Article data       |  |
|--------------------|--|
| Article no.        | 12553184   |
| GTIN               | 4251433937852  |
| Series name        | KACIE MAXI   |
| Short description  | LED recessed downlight, DALI dimmable                                |
| Material           | Aluminium / Polycarbonate / Steel                                    |
| Colour             | Black  |
| Type of surface    | Structure  |
| Shape              | Round  |
| Outer diameter     | 230 mm   |
| Built-in diameter  | 210 mm   |
| Installation depth | 95 mm  |
| Hight              | 3 mm   |
| Scope of delivery  | Incl. converter for connection to 230 V mains voltage, DALI dimmable |
| Weight             | 1.633 kg   |

| Lighting technology |            |
|---------------------|------------|
| Colour temperature  | 4.000 K    |
| Light colour        | White      |
| Light output        | Direct     |
| Luminous flux       | 2,720 lm   |
| System efficiency   | 84 lm/W    |
| Colour rendering    | CRI > 90   |
| Reflector           | High-gloss |
| Reflektorfarbe      | silver     |
| Beam angle          | 70°        |
| Glare evaluation    | UGR < 22   |
| Light sharing       | Symmetric  |

| Operating technology of the luminaire |         |
|---------------------------------------|---------|
| System output                         | 32.5 W  |
| Voltage type                          | AC      |
| AC nominal voltage max                | 230 V   |
| Frequenz max.                         | 50 Hz   |
| Lamp                                  | LED     |
| Protection class                      | II      |
| Degree of protection                  | IP20    |
| Dimmable                              | Yes     |
| Control                               | DALI-2  |
| Bulb change possible                  | Yes     |
| Rated life time L70/B50 at 25 °C      | 50000 h |

| Mounting technology    |   |
|------------------------|---|
| Mounting method        | Recessed mounting                         |
| Place of installation  | Ceiling-mounted                           |
| Adjustability          | Not adjustable                            |
| Max. ceiling thickness | 35 mm                                     |
| Further references     | No cover with thermal insulation material |
| Material cover         | Polycarbonat opal                         |

**KACIE MAXI LED recessed downlight, DALI dimmable**

Article no. 12553184

Light.  
For Generations.

| Packing data            |  |
|-------------------------|--|
| Gross weight            | 1.835 kg   |
| Length of packaging     | 255 mm   |
| Packaging width         | 235 mm   |
| Packaging height        | 180 mm   |
| Disposal at end of life | <p>This product must not be disposed of with household waste. You are obliged, to dispose of such electrical waste separately.</p> <p>By disposing of electrical waste and other old or defective electronics separately, you support recycling or other forms of re-use. In that way you help to take care and to avoid that harmful substances get into the environment.</p> |