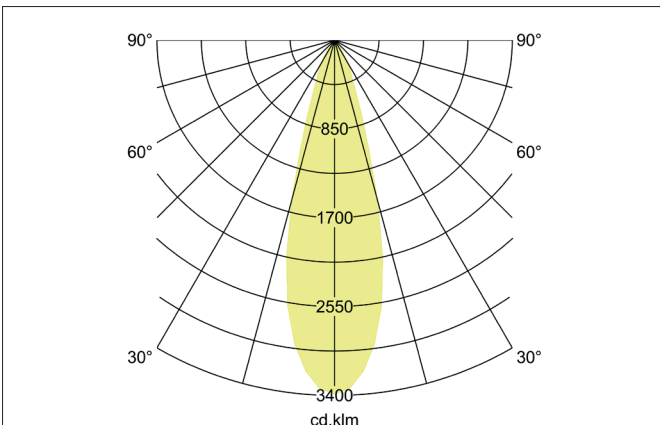
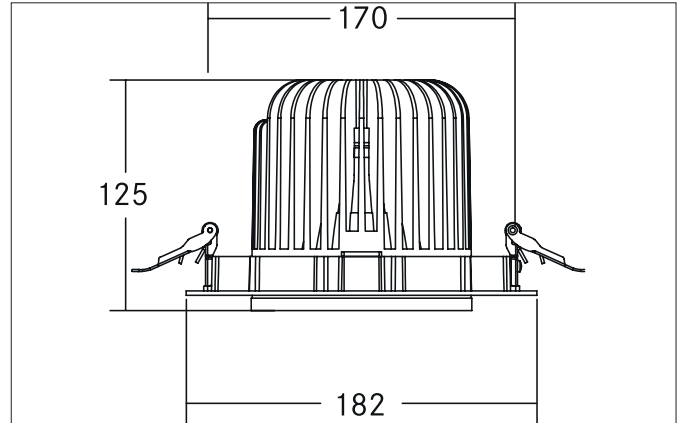


ATLAS LED recessed spotlight

Article no. 12590174

Light.
For Generations.



Tender
LED recessed spotlight, Round. Toolless ceiling installation by installation springs. Ceiling cut-out Ø 170 mm, Installation depth 125 mm, Outer diameter 182 mm, Weight 1,501 kg. Reflector silver with rotationssymmetrical, deep, wide distributed light intensity. Luminous flux 4.075 lm, Power 1 x 31,5 W, Light colour neutral white, Correlated color temprature (CCT) 4.000 K, Colour rendering index CRI > 90, Rated life time L70/B10 at 25 °C: 50.000 h, Housing material: Aluminium / Glass / Plastic, Colour: White structure, Permissible ambient temperature (ta): -20 °C - +25 °C, Protection class (EN 61140): II, Degree of protection (DIN EN 60529): IP20, .With electronic driver, on/off switchable.

Article data	
Article no.	12590174
GTIN	4251433938682
Series name	ATLAS
Short description	LED recessed spotlight
Material	Aluminium / Glass / Plastic
Colour	White
Type of surface	Structure
Shape	Round
Outer diameter	182 mm
Built-in diameter	170 mm
Installation depth	125 mm
Weight	1.501 kg

ATLAS LED recessed spotlight

Article no. 12590174

Light.
For Generations.

Lighting technology	
Colour temperature	4.000 K
Light colour	White
Light output	Direct
Luminous flux	4,075 lm
System efficiency	129 lm/W
Colour rendering	CRI > 90
Reflector	High-gloss
Reflektorfarbe	silver
Beam angle	30°
Light sharing	Symmetric

Operating technology of the luminaire	
System output	31.5 W
Voltage type	AC
AC nominal voltage max	230 V
Frequenz max.	50 Hz
Lamp	LED
Protection class	II
Degree of protection	IP20
Control	on/off
Bulb change possible	The light source of this luminaire may only be replaced by the manufacturer or a service technician commissioned by him or a similarly qualified person.

Mounting technology	
Mounting method	Recessed mounting
Place of installation	Ceiling-mounted
Adjustability	Rotable and pivoted
Swivel angle	30°
Rotation angle	355°
Further references	No cover with thermal insulation material

Packing data	
Gross weight	1.694 kg
Length of packaging	195 mm
Packaging width	195 mm
Packaging height	220 mm
Disposal at end of life	This product must not be disposed of with household waste. You are obliged, to dispose of such electrical waste separately. By disposing of electrical waste and other old or defective electronics separately, you support recycling or other forms of re-use. In that way you help to take care and to avoid that harmful substances get into the environment.