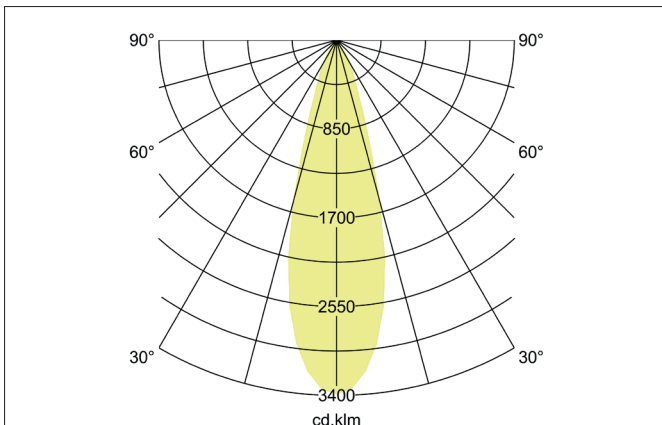
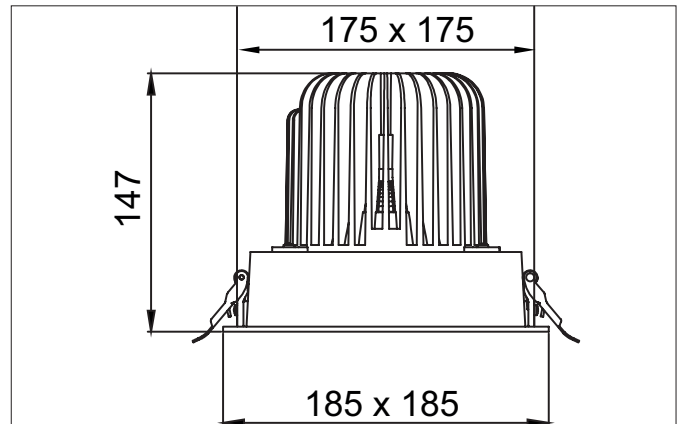


TRAVUS LED recessed spotlight, cardanic
 Article no. 12583184

Light.
 For Generations.



Tender
 LED recessed spotlight, cardanic, Square. Toolless ceiling installation by installation springs. Ceiling cut-out L x W 175 x 175 mm, Installation depth 147 mm, Length 185 mm, Width 185 mm, Weight 1,793 kg, Reflector silver with rotationssymmetrical, deep, wide distributed light intensity. Luminous flux 5.239 lm, Power 1 x 41,5 W, Light colour neutral white, Correlated color temperature (CCT) 4.000 K, Colour rendering index CRI > 90, Rated life time L70/B10 at 25 °C: 50.000 h, Housing material: Aluminium / Glass / Plastic, Colour: Black structure, Permissible ambient temperature (ta): -20 °C - +25 °C, Protection class (EN 61140): II, Degree of protection (DIN EN 60529): IP20, .With electronic driver, DALI-2 dimmable.

| Article data | |
|--------------------|----------------------------------|
| Article no. | 12583184 |
| GTIN | 4251433938668 |
| Series name | TRAVUS |
| Short description | LED recessed spotlight, cardanic |
| Material | Aluminium / Glass / Plastic |
| Colour | Black |
| Type of surface | Structure |
| Shape | Square |
| Built-in width | 175 mm |
| Built-in length | 175 mm |
| Installation depth | 147 mm |
| Length | 185 mm |
| Width | 185 mm |
| Weight | 1.793 kg |

TRAVUS LED recessed spotlight, cardanic

Article no. 12583184

Light.
For Generations.

| Lighting technology | |
|---------------------|------------|
| Colour temperature | 4.000 K |
| Light colour | White |
| Light output | Direct |
| Luminous flux | 5,239 lm |
| System efficiency | 126 lm/W |
| Colour rendering | CRI > 90 |
| Reflector | High-gloss |
| Reflektorfarbe | silver |
| Beam angle | 30° |
| Light sharing | Symmetric |

| Operating technology of the luminaire | |
|---------------------------------------|--|
| System output | 41.5 W |
| Voltage type | AC |
| AC nominal voltage max | 230 V |
| Frequenz max. | 50 Hz |
| Lamp | LED |
| Protection class | II |
| Degree of protection | IP20 |
| Control | DALI-2 |
| Bulb change possible | The light source of this luminaire may only be replaced by the manufacturer or a service technician commissioned by him or a similarly qualified person. |

| Mounting technology | |
|-----------------------|---|
| Mounting method | Recessed mounting |
| Place of installation | Ceiling-mounted |
| Adjustability | Rotable and pivoted |
| Swivel angle | 30° |
| Rotation angle | 355° |
| Further references | No cover with thermal insulation material |

| Packing data | |
|-------------------------|---|
| Gross weight | 1.952 kg |
| Length of packaging | 150 mm |
| Packaging width | 150 mm |
| Packaging height | 300 mm |
| Disposal at end of life | This product must not be disposed of with household waste. You are obliged, to dispose of such electrical waste separately. By disposing of electrical waste and other old or defective electronics separately, you support recycling or other forms of re-use. In that way you help to take care and to avoid that harmful substances get into the environment. |